

Installation Manual

MULTI FUNCTION DISPLAY

Model TZT10X/TZT13X

SAFETY INSTRUCTIONS	i
SYSTEM CONFIGURATION	iii
EQUIPMENT LISTS.....	v
1. MOUNTING.....	1-1
1.1 Installation of Multi Function Display.....	1-1
1.2 Flush Mounting	1-2
1.3 Desktop Mounting	1-5
1.4 Installation of Transducers.....	1-6
2. WIRING.....	2-1
2.1 Interface Connections (Rear of the unit).....	2-1
2.2 Power Cable	2-2
2.3 Grounding Wire.....	2-2
2.4 MULTI Cable.....	2-2
2.5 DRS Radar Sensor Connections	2-3
2.6 Network Connection with Other TZT Series Units	2-4
2.7 NMEA 2000 Connector	2-4
2.8 Example TZT10X/13X System Configuration	2-8
3. HOW TO SET UP THE EQUIPMENT	3-1
3.1 How to Set Time Zone, Time Format and Language.....	3-5
3.2 How to Set Units of Measurement	3-6
3.3 Initial Setup	3-7
3.4 How to Set Up the Radar (For the service technician only).....	3-13
3.5 How to Set Up the Fish Finder.....	3-15
3.6 Wireless LAN Setting	3-21
3.7 Ferry Mode.....	3-23
3.8 How to Manage Your Charts.....	3-23
3.9 IP Camera Setup	3-28
PACKING LIST(S)	A-1
OUTLINE DRAWING(S)	D-1
INTERCONNECTION DIAGRAM(S)	S-1

FURUNO ELECTRIC CO., LTD.

9-52 Ashihara-cho,
Nishinomiya, 662-8580, JAPAN

• FURUNO Authorized Distributor/Dealer

All rights reserved. Printed in Japan

A : MAR. 2024

Pub. No. IME-45260-A

(TEHI) TZT10X/TZT13X



0 0 0 2 0 1 1 5 5 1 1



SAFETY INSTRUCTIONS



WARNING

Indicates a potentially hazardous situation which, if not avoided, could result in death or serious injury.



CAUTION

Indicates a potentially hazardous situation which, if not avoided, may result in minor or moderate injury.

(Examples of symbols)



Warning, Caution



Prohibitive Action



Mandatory Action



WARNING



ELECTRICAL SHOCK HAZARD
Do not open the equipment unless totally familiar with electrical circuits.

Only qualified personnel should work inside the equipment.



Turn off the power at the switchboard before beginning the installation.

Fire or electrical shock can result if the power is left on.



Be sure that the power supply is compatible with the voltage rating of the equipment.

Connection of an incorrect power supply can cause fire or damage the equipment.



If your vessel is configured with an autopilot system, install an autopilot control unit (or emergency autopilot stop button) at each helm station, to allow you to disable the autopilot in an emergency.

If the autopilot cannot be disabled, accidents may result.



CAUTION



Ground the equipment to prevent electrical shock and mutual interference.



Use the proper fuse.

Use of an incorrect fuse may damage the equipment.



The front panel is made of glass. Handle it with care.

Injury can result if the glass breaks.



Observe the following compass safe distances to prevent interference to a magnetic compass:

Model	Standard compass	Steering compass
TZT10X	0.45 m	0.30 m
TZT13X	0.50 m	0.30 m
HUB-101	0.80 m	0.50 m

WARNING



The radar antenna sends electromagnetic radio frequency (RF) energy. This energy can be dangerous to you, especially your eyes. Do not look at the radiator or near the antenna when the antenna is rotating.

The distances at which RF radiation levels of 100 W/m² and 10 W/m² exist are shown in the table.

Antenna Model	Distance to 100 W/m ² point	Distance to 10 W/m ² point	Antenna Model	Distance to 100 W/m ² point	Distance to 10 W/m ² point
DRS4D-NXT	N/A	0.7	DRS6A-NXT (XN10A)	N/A	0.6
DRS4D-NXT	N/A	0.7	DRS6A-NXT (XN12A)	N/A	0.6
DRS4DL+	N/A	0.9	DRS6A-NXT (XN13A)	N/A	0.4
DRS6A X-Class (XN12A)	N/A	2.2	DRS12A-NXT (XN12A)	0.2	1.9
DRS6A X-Class (XN13A)	N/A	1.9	DRS12A-NXT (XN13A)	0.15	1.8
DRS12A X-Class (XN12A)	0.3	3.1	DRS25A-NXT (XN12A)	0.3	2.8
DRS12A X-Class (XN13A)	0.2	2.9	DRS25A-NXT (XN13A)	0.2	2.65
DRS25A X-Class (XN12A)	0.8	7.7	DRS4D X-Class	0.53	1.7
DRS25A X-Class (XN13A)	0.7	6.8			



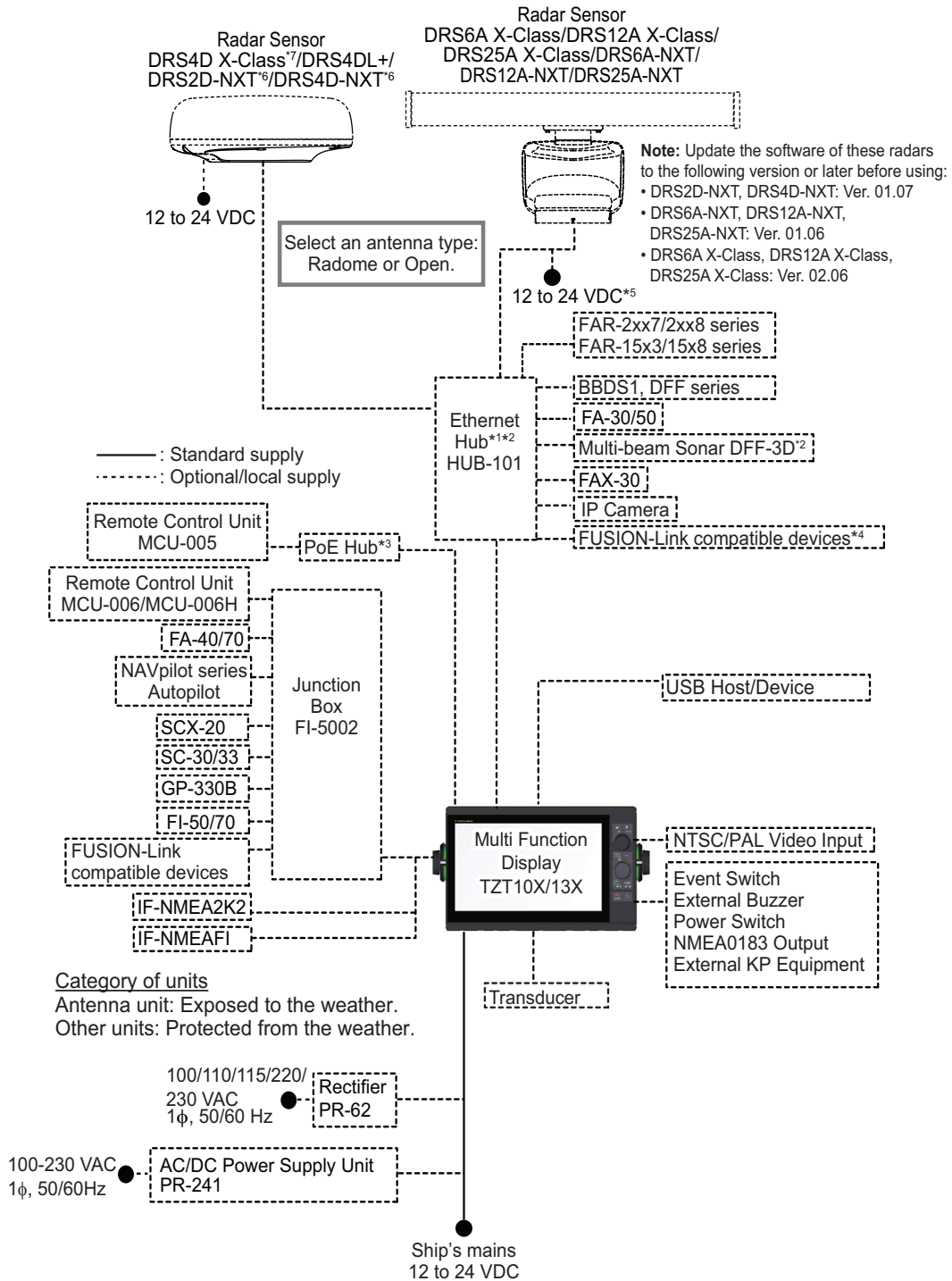
Check that no person is near the open-type radar antenna before you turn on the radar.

Serious injury or death can occur if a person is hit by a rotating radar antenna.

About the TFT LCD

The TFT LCD is constructed using the latest LCD techniques, and displays 99.99% of its pixels. The remaining 0.01% of the pixels may drop out or blink, however this is not an indication of malfunction.

SYSTEM CONFIGURATION



*1: A maximum of 3 units of HUB-101 can be connected.
 *2: With the Ethernet HUB, up to six NavNet TZtouch series units can be connected (up to four units when the TZT2BB is included). NavNet TZtouch cannot be connected (see page iii for details).
 *3: Use a commercially available PoE hub. The NETGEAR GS108PE has tested as compatible. The basic functions of the hub were verified, however the compatibility of all functions were not checked. FURUNO cannot guarantee proper operation.
 *4: The connected FUSION-Link device must also have Ethernet connectivity.
 *5: 12 VDC is only used with DRS6A-NXT. All other open array DRS sensors require 24 VDC.
 *6: DRS2D-NXT and DRS4D-NXT cannot be used in Japan.
 *7: The DRS4D X-Class is for Japanese market only.

TZT series network connections

The TZT series can be connected on the same network in the following combinations.

	TZtouch: TZT9/14/BB	TZtouch2: TZTL12F/15F	TZtouch2: TZT2BB^{*1}	TZtouch3: TZT9F/12F/16F/19F^{*2}
TZtouchXL: TZT10X/13X/	No	No	Yes	Yes

*1: Version 9.70 or later

*2: Version 3.70 or later

EQUIPMENT LISTS

Standard supply

Name	Type	Code No.	Qty	Remarks
Multi Function Display	TZT10X	-	1	Including installation materials, accessories and spare parts.
	TZT13X	-	1	

Optional supply

Name	Type	Code No.	Remarks
NMEA Data Converter	IF-NMEA2K2	000-020-510	
Remote Control Unit	MCU-005	000-035-097	
	MCU-006	000-042-803	
	MCU-006H	000-042-804	
Junction Box	FI-5002	005-008-400	
Ethernet HUB	HUB-101	000-011-762	
Joint Box	TL-CAT-012	000-167-140	For LAN network
Rectifier	PR-62	000-013-484	100 VAC
		000-013-485	110 VAC
		000-013-486	220 VAC
		000-013-487	230 VAC
AC/DC Power Supply Unit	PR-241	-	
Ferrite Core	OP86-11	001-594-450	For PR-241
External Buzzer	OP03-136	000-086-443	Buzzer: PKB5-3A40
Network (LAN) Cable	FRU-RZWPNWP-002G	000-200-338-10	Single connector waterproofed
	FRU-RZWPNWP-005G	000-200-339-10	
	FRU-RZWPNWP-010G	000-200-340-10	
	FRU-RZWPWP-002G	000-200-335-10	Dual connector waterproofed
	FRU-RZWPWP-005G	000-200-336-10	
	FRU-RZWPWP-010G	000-200-337-10	
MULTI Cable	FRU-CCCAF14-R001G	000-200-330-10	
NMEA Cable Assy.	FRU-NMEA-PMMFF-010	001-533-060	1 m, two connectors
	FRU-NMEA-PMMFF-020	001-533-070	2 m, two connectors
	FRU-NMEA-PMMFF-060	001-533-080	6 m, two connectors
	FRU-NMEA-PFF-010	001-507-010	1 m, single connector
	FRU-NMEA-PFF-020	001-507-030	2 m, single connector
	FRU-NMEA-PFF-060	001-507-040	6 m, single connector
	FRU-MM1MF1MF1001	001-507-050	T connector
	FRU-MM1000000001	001-507-070	Male, terminator
	FRU-MF000000001	001-507-060	Female, terminator
Cable Assy.	FRU-HDDAP-005G	000-200-334-10	HDMI cable
USB Cable	FRU-UPCAP300UB	000-200-331-10	USB-A/USB-B cable
	FRU-UAP300UAJC-30G	000-200-332-10	USB-A/USB-A cable
USB OTG Cable	FRU-MAEF05-MBJ0300G	000-200-333-10	Micro USB cable
Matching Box	MB-1100	000-027-226	For 1kW transducers

EQUIPMENT LISTS

Name	Type	Code No.	Remarks
Transducer*1	520-5PSD	000-015-204	
	520-5MSD	000-015-212	
	525-5PWD	000-027-447	
	520-PLD	000-023-680	
	525T-BSD	000-023-020	
	525T-PWD	000-023-019	
	SS60-SLTD/12	000-023-676	
	SS60-SLTD/20	000-023-677	
	525T-LTD/12	000-023-679	
	525T-LTD/20	000-023-678	
	526TID-HDD	000-023-021	
	50/200-1T *10M*	000-015-170	Require MB-1100 for connection (available separately).
	50B-6 *10M*	000-015-042	
	50B-6B *15M*	000-015-043	
	200B-5S *10M*	000-015-029	
	B265LH-FJ12	000-037-609	
	CM265LH-FJ12	000-037-610	
	TM265LH-FJ12	000-037-611	
	B-75H	000-035-502	
	B-75L	000-035-501	
	TM150M	000-035-500	
B-175H	000-035-504		
B-175L	000-035-503		
Triducer	526TID-HDD	000-023-021	
	525STID-MSD	000-011-783	
	525STID-PWD	000-011-784	
Extension Cable*2	C332 10M	001-464-120	For transducer cable extension.
	FRU-CCB12-DA-10M	000-198-935-10	
User's Guide	E42-02210-*	000-200-313-10	For MCU-006
Operator's Manual	OME-45240-*	000-200-138-10	

*1: Compatible with ACCU-FISH™, Bottom Discrimination.

*2: Use of the extension cable may cause the following problems:

- Reduced detection ability
- Wrong ACCU-FISH™ information (fish length smaller than actual length, fewer fish detections, error in individual fish detection).
- Wrong speed data
- No TD-ID recognition

Other compatible transducers (local supply)

The transducers (Manufactured by AIRMAR Technology Corporation) listed in the table below are compatible with this equipment.

Single Frequency CHIRP (For internal fish finder)

Output power	Model							
300 W	B150M	SS75L	P95M					
600 W	B75M	B785M	SS75M	SS75H	P75M	B75HW	TM165 HW	B75H W
1 kW	B175M	B175HW	TM185M	TM185HW	B285M	B175M W	TM185 MW	

Dual Frequency CHIRP (For internal fish finder)

Output power	Model			Remarks
300/600kW	B765LM	B765LH		
1 kW	B265LH	CM265LH	TM265LH	ACCU-FISH™ function available
	B265LM	B275LHW	CM265LM	ACCU-FISH™ function NOT available
	CM275LHW	TM265LM	TM275LHW	
	165T/ 265LH- PM488-12P	165T/ 275LHW- 12P	165T-50/ 200-SS260	
	165T-50/ 200-TM260			

Dual Frequency CHIRP (For DFF3-UHD)

Output power	Model				
2 kW	PM111LH	PM111LHW	R109LH	R109LHW	R111LH
	165T-PM542LHW		165T-PM542LM		
2 to 3 kW	CM599LH	CM599LHW	R509LH	R509LHW	R509LM
	R599LH	R599LM			

This page is intentionally left blank.

1. MOUNTING

1.1 Installation of Multi Function Display

The TZT10X/13X is designed to be mounted in a console or mounted on a desktop.

The installer of this equipment must read and follow the descriptions in this manual. Wrong installation or maintenance can void the warranty.

Mounting considerations

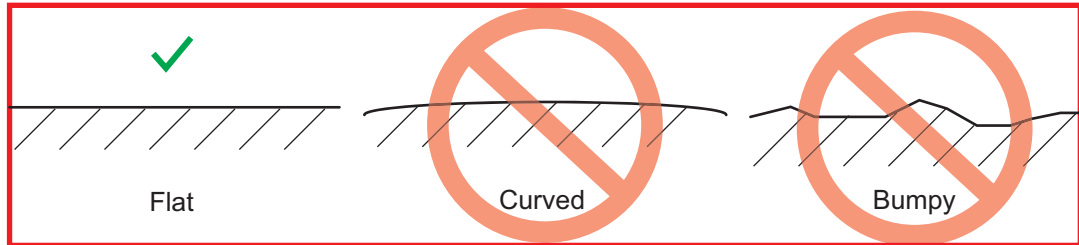
When selecting a mounting location for your TZT10X/13X, keep the following in mind:

- The temperature at the mounting location shall be between -15°C and +55°C.
- The humidity at the mounting location shall be 93% or less at 40°C.
- Locate the unit away from exhaust pipes and ventilators.
- The mounting location should be well ventilated.
- Mount the unit where shock and vibration are minimal (compliant with IEC 60945 Ed.4).
- Keep the unit away from electromagnetic field generating equipment such as motors and generators.
- For maintenance and checking purposes, leave sufficient space around the unit and leave slack in cables. Minimum recommended space is shown in the outline drawing for the display units.
- Do not mount the unit on an overhead beam/bulkhead.
- A magnetic compass will be affected if the equipment is placed too close to it. Observe the compass safe distances shown in the SAFETY INSTRUCTIONS to prevent disturbance to the magnetic compass.
- In the below cases, use the mounting plates to reinforce the mounting location.
 - When removing and installing this unit repeatedly.

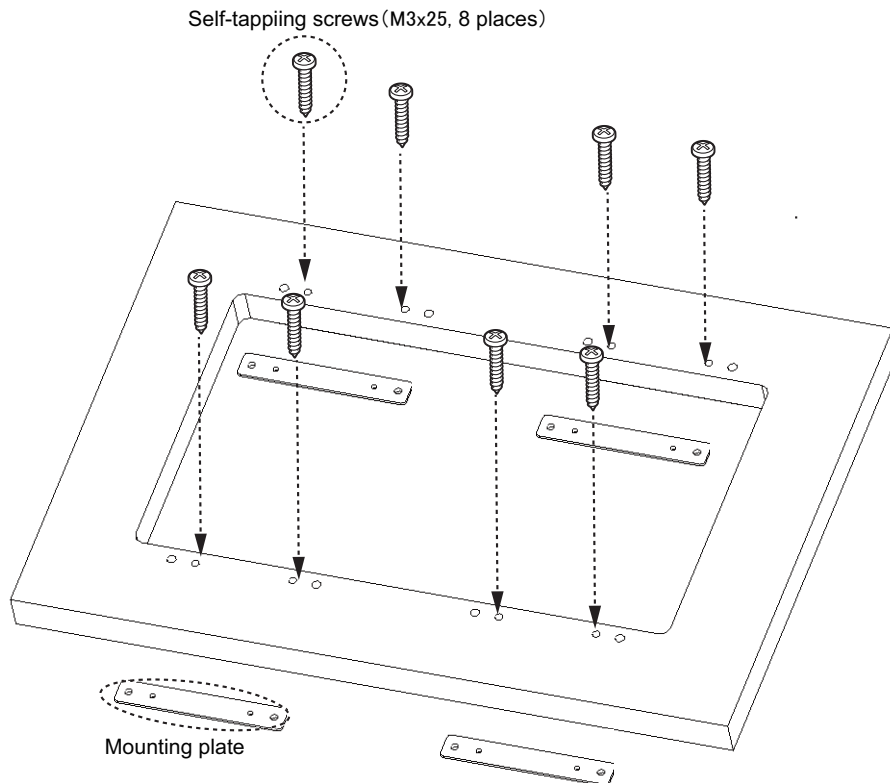
1.2 Flush Mounting

Referring to the figure below, select a flat mounting location. Read the installation instructions before starting. Pay particular attention to the notes; failure to follow these instructions may cause damage to the unit.

Note: Ensure the mounting location is flat, with no indents or protrusions, to allow a secure fit.

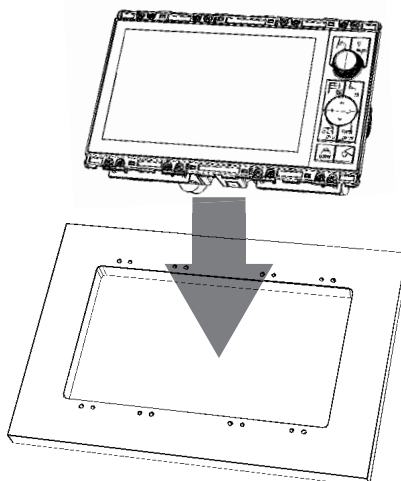


1. Prepare a cutout in the mounting location using the template supplied at the back of this manual.
2. Drill holes at each screw location (with mounting plate: total 16; without mounting plate: 8), using the supplied template.
3. For installations with no mounting plate, go to step 4. For installations with a mounting plate, fit the mounting plate to the inner side of the cutout, then secure the plate in place with two M3×25 self-tapping screws (included as installation materials) per plate (total 8 places, indicated in the following figure).



4. Connect all cables at the back of the TZT10X/13X (see section 2.1 for details).

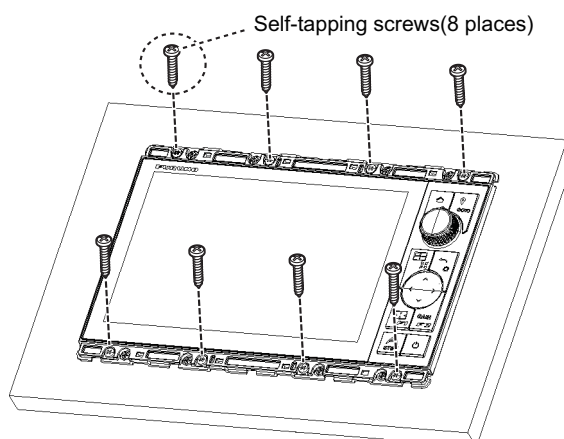
- Set the TZT10X/13X to the cutout made at step 1. For installations using the mounting plate, the screws fitted at step 4 should align with the gaps in the unit.



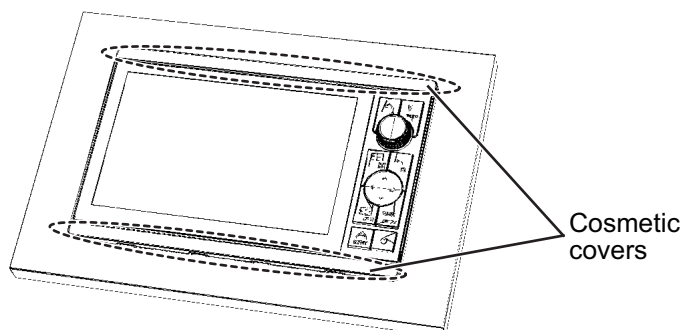
Note 1: Cables not shown in figure for simplification.

Note 2: Take care not to pinch the cables when fitting the unit.

- Fasten 8 screws at the locations indicated in following figure to secure the unit.
With mounting plate: Use M4×30 self-tapping screws.
No mounting plate: Use 4×20 self-tapping screws.



- Fit the cosmetic covers (included as installation materials) to the top and bottom of the unit front.

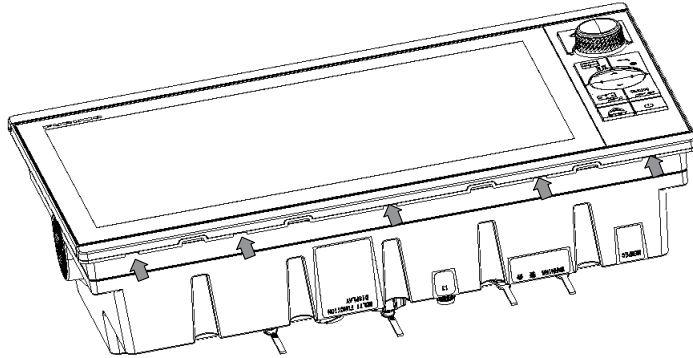


1. MOUNTING

How to remove the cosmetic covers

Remove the top and bottom cosmetic covers from the front of the unit.

Using a flat-head screwdriver, start at one end of the cosmetic cover, insert the blade of the screwdriver into each of the release points (indicated with gray arrows in the figure below), then gently twist the screwdriver until a “pop” sound is heard.



Note 1: To prevent damage to the cosmetic cover, release the plate from one end, then work towards the opposite end. Releasing the plate in any other manner may cause damage to the plate and your TZT10X/13X.

Note 2: Do not use excessive force when removing the cosmetic cover. Use of excessive force can damage the cosmetic cover and the unit.

1.2.1 Retrofit Kit for TZT13X (local supply)

When upgrading to the TZT13X, prepare the front fixing panel.

See the outline drawing of the front fixing panel for the details.

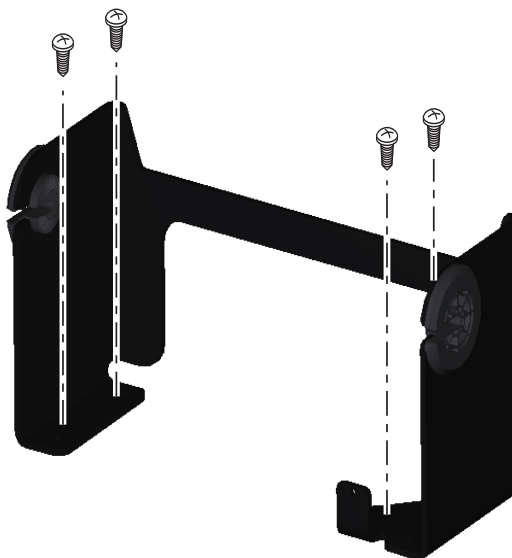
Note: The outline drawing assumes upgrading from the following models.

- MFD12
- TZTL12F
- TZT12F

1.3 Desktop Mounting

Follow the appropriate procedure below to mount the TZT10X/13X.

1. Fix the hanger by using self-tapping screws (5×20 SUS304, supplied). The screw locations are indicated in the figure below.



2. Place the TZT10X/13X face-down on a soft, clean surface, then fit the washers and knob bolts as shown in the figure below, leaving a gap of approximately 30 mm. The washers have a leading edge which must face the unit.



3. Set the TZT10X/13X unit to the hanger and tighten the knob bolts.



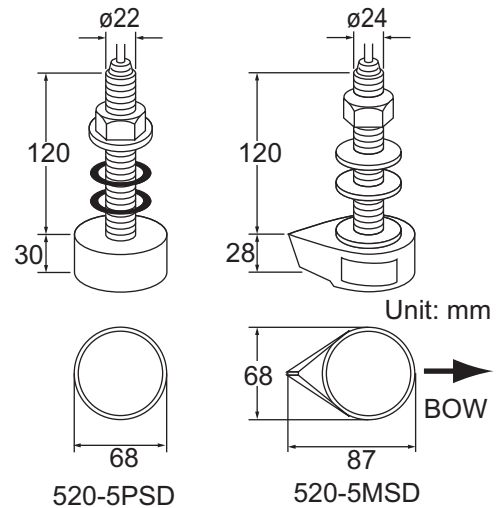
1.4 Installation of Transducers

⚠ CAUTION

⊘ Do not cover the transducer with FRP resin.
 The heat generated when the resin hardens may damage the transducer. CHIRP transducers are especially vulnerable to heat.

Note: For instructions regarding installation of network fish finder transducers, see the respective manual.

There are three methods for installing the transducer on the ship (thru-hull mount, inside the hull and transom mount) and one of those methods is to be selected according to the structure of the ship. The procedure which follows below shows how to install a small transducer (520-5PSD/5MSD) as the representative example of installation.



1.4.1 How to mount a transducer through the hull

Transducer mounting location

The thru-hull mount transducer provides the best performance of all, since the transducer protrudes from the hull and the effect of air bubbles and turbulence near the hull skin is reduced. If your boat has a keel, the transducer should be at least 30 cm away from it.

The performance of this fish finder is directly related to the mounting location of the transducer, especially for high-speed cruising. The installation should be planned in advance, keeping the length of the transducer cable and the following factors in mind:

- Air bubbles and turbulence caused by movement of the boat seriously degrade the sounding capability of the transducer. The transducer should, therefore, be located in a position where water flow is the smoothest. Noise from the propellers also adversely affects performance and the transducer should not be mounted nearby. The lifting strakes are notorious for creating acoustic noise,

- Position 1/2 to 1/3 of the hull from stern.
- 15 to 30 cm off center line (inside first lifting strakes.)

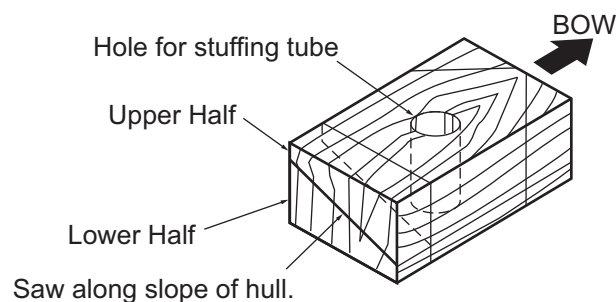
- Within the wetted bottom area
- Deadrise angle within 15°

and these must be avoided by keeping the transducer inboard of them.

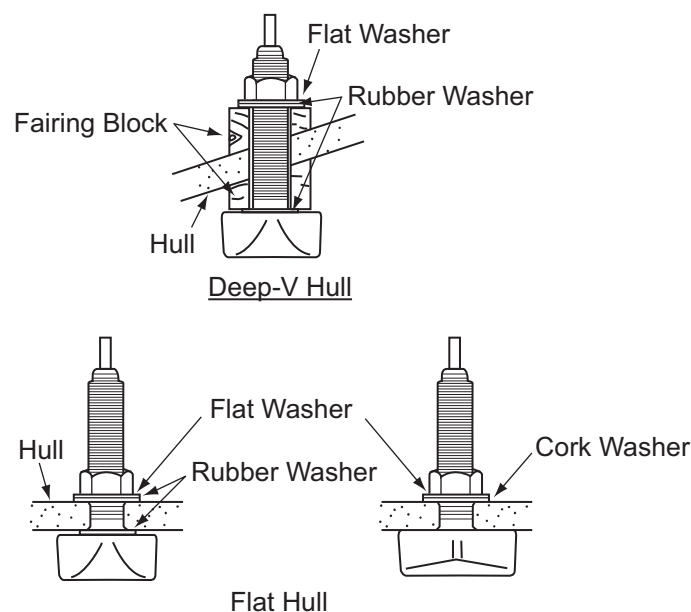
- The transducer must always remain submerged, even when the boat is rolling, pitching or up on a plane at high speed.
- A practical choice would be somewhere between 1/3 and 1/2 of your boat's length from the stern. For planing hulls, a practical location is generally rather far astern, so that the transducer is always in water regardless of the planing attitude.

Installation procedure

1. With the boat hauled out of the water, mark the location chosen for mounting the transducer on the bottom of the hull.
2. If the hull is not level within 15° in any direction, fairing blocks made out of teak should be used between the transducer and hull, both inside and outside, to keep the transducer face parallel with the water line. Fabricate the fairing block as shown below and make the entire surface as smooth as possible to provide an undisturbed flow of water around the transducer. The fairing block should be smaller than the transducer itself to provide a channel to divert turbulent water around the sides of the transducer rather than over its face.



3. Drill a hole just large enough to pass the threaded stuffing tube of the transducer through the hull, making sure it is drilled vertically.
4. Apply a sufficient amount of high quality caulking compound to the top surface of the transducer, around the threads of the stuffing tube and inside the mounting hole (and fairing blocks if used) to ensure watertight mounting.
5. Mount the transducer and fairing blocks and tighten the locknut. Be sure that the transducer is properly oriented and its working face is parallel to the waterline.



1. MOUNTING

Note: Tightening torque should not exceed 39 N•m. Over-tightening will damage the plastic screws.

1.4.2 How to mount a transducer inside the hull

NOTICE

This installation method affects the ability to detect the bottom, fish and other objects because the ultrasound pulse is weakened when it passes through the hull. Therefore, refrain from this mounting method for a transducer that supports the RezBoost™ (Enhanced Mode), ACCU-FISH™ and/or bottom discrimination display feature.

Remarks on installation

This method is useful when mounting a transducer inside the hull of FRP ship, however, it affects the ability to detect the bottom, fish and other objects.

- Do the installation with the ship moored at a dock, etc. The water depth should be 6.5 to 32 feet (2 to 10 meters).
- Turn off the engine.
- Do not power the unit with the transducer in the air, to prevent damage to the transducer.
- Do not use this method on a double layer hull.
- Before attaching the transducer to the hull, check that the site is suitable, by following steps 1 to 3 in the installation procedure below.

Necessary tools

The following tools are required:

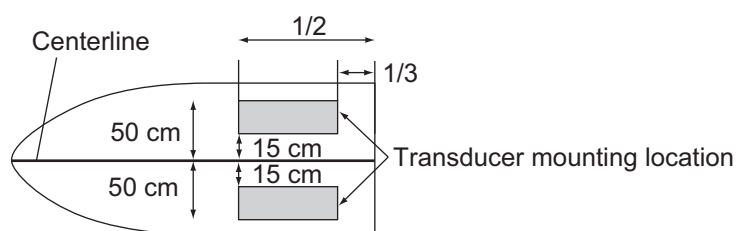
- Sandpaper (#100)
- Marine sealant
- Water-filled plastic bag

Selecting a location to install the transducer



Install the transducer on the hull plate inside of the engine room. The attenuation of the ultrasound pulse varies with the thickness of the hull. Select a location where attenuation is the lowest.

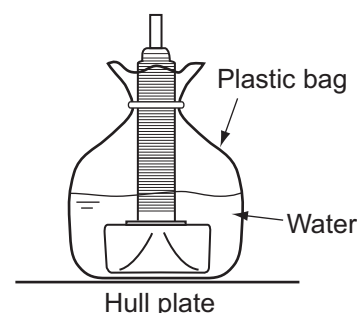
Select 2-3 locations considering the four points mentioned below.

- Mount the transducer at a location 1/2 to 1/3 of the length of your boat from the stern.
- The mounting location is between 15 to 50 cm from the centerline of the hull.
- Do not place the transducer over hull struts or ribs which run under the hull.
- Avoid a location where the rising angle of the hull exceeds 15°, to minimize the effect of the boat's rolling.



Decide the most suitable site from the locations selected with the following procedures.

1. Connect the power cable and transducer cable to the display unit.
2. Put the transducer into a water-filled plastic bag. Press the transducer against the chosen site.
3. Tap  (power switch) to turn the power on.
4. After the startup procedure completes (approx. 90 seconds), the last-used display appears. Tap the [FURUNO] icon () to show the home screen and display mode settings. See section 3.3 for how to use the menu.
5. Scroll the menu to show [Fish Finder] in the menu, then tap [Fish Finder].
6. Scroll the [Fish Finder] menu to show the [User Settings] menu, then tap [Fish Finder Source].
7. Confirm the available fish finder from the list of available sounders, then tap the appropriate fish finder. For the purpose of this example, the default setting [TZT10X/13X] (internal sounder) is selected as the source.
8. Tap the [<] icon to return to the [Fish Finder] menu.
9. Scroll the [Fish Finder] menu to show the [Fish Finder Initial Setup] menu, then tap [Transducer Setup].
10. Tap [Transducer Setup Type].
11. Tap [Model].
12. Tap the [<] icon to return to [Transducer Setup] menu.
13. Tap [Model Number], scroll the menu to show your transducer model, then tap the transducer model number.

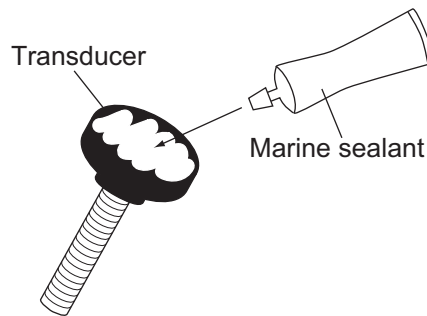


1. MOUNTING

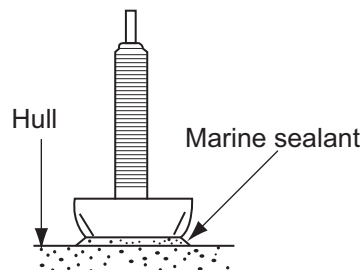
14. Tap the [←] icon twice to return to the [Fish Finder] menu, then scroll the [Fish Finder] to show the [Fish Finder Initial Setup] menu.
15. At the [Transmission Power] menu item, set the transmission power to [Max].
16. Scroll the menu to show [Fish Finder Transmit], then tap [Fish Finder Transmit]. Check if the bottom echo appears on the right side of the screen, in the display area.
If no bottom echo appears, repeat the procedure until a suitable location is found.
17. Turn the control unit power off and remove the transducer from the plastic bag and wipe the face of transducer with a cloth to remove water and any foreign material.

Installation procedure

1. Lightly roughen the transducer face with #100 sandpaper. Also, use the sandpaper to roughen the inside of the hull where the transducer is to be mounted. Wipe off any sandpaper dust from the face of the transducer.
2. Dry the face of the transducer and the hull. Coat the transducer face and mounting location with marine sealant. Hardening begins in approx. 15 to 20 minutes so do this step without delay.



3. Attach the transducer to the hull. Press the transducer firmly down on the hull and gently twist it back and forth to remove any air which may be trapped in the marine sealant.



4. Support the transducer with a piece of wood to keep it in place while the sealant is drying. It takes 24 to 72 hours to harden completely.
5. Turn the power on and change the menu setting as shown below. See section 3.3 for how to use the menu.
 - 1) Tap the [FURUNO] icon to show the home screen and display mode settings.
 - 2) Scroll the menu to show [Fish Finder] in the menu, then tap [Fish Finder Initial Setup] menu.
 - 3) At the [Transmission Power Mode] menu item, set the transmission power to a level of [Max].
 - 4) Set the Bottom Level and Gain Offset settings as shown in the table below.

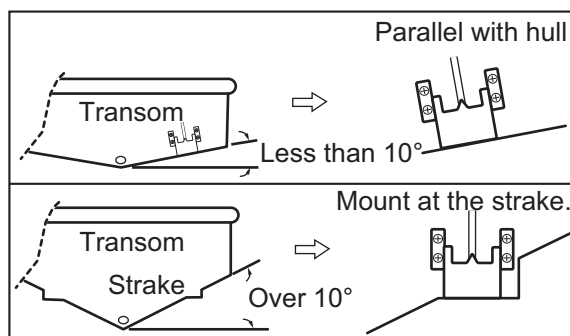
Menu Item	Setting
Bottom Level HF	-40

Menu Item	Setting
Bottom Level LF	-40
Gain Offset HF	20
Gain Offset LF	20

1.4.3 How to install the transom mount transducer

The optional transom mount transducer is very commonly employed, usually on relatively small I/O or outboard boats. Do not use this method on an inboard motor boat because turbulence is created by the propeller ahead of the transducer.

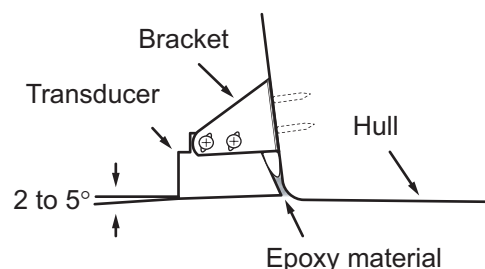
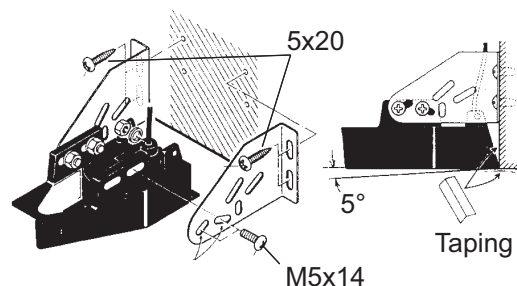
DO NOT over-tighten screws, to prevent damage to the transducer.



Installation procedure

A suitable mounting location is at least 50 cm away from the engine and where the water flow is smooth.

1. Drill four pilot holes for self-tapping screw (5×20) in the mounting location.
2. Coat the threads of the self-tapping screws (5×14) for the transducer with marine sealant for waterproofing. Attach the transducer to the mounting location with the self-tapping screws.
3. Adjust the transducer position so the transducer faces right to the bottom. If necessary, to improve water flow and minimize air bubbles staying on the transducer face, incline the transducer about 5° at the rear. This may require a certain amount of experimentation for fine tuning at high cruising speeds.
4. Tape the location shown in the figure below.
5. Fill the gap between the wedge front of the transducer and transom with epoxy material to eliminate any air spaces.
6. After the epoxy hardens, remove the tape.



Transducer protrusion

If the hull is not level within 15° in any direction, install the transducer so that it protrudes from the hull, to keep the transducer face parallel with the water line, not with the hull.

1. MOUNTING

This installation method has a merit for avoiding the bubbles by diverting turbulent water around the sides of the transducer rather than over its face. However, it may cause damage to the transducer during trailering, launching, hauling, and storage.

Transducer preparation

Before putting your boat in water, wipe the face of the transducer thoroughly with a liquid detergent. This will lessen the time necessary for the transducer to have good contact with the water. Otherwise the time required for complete "saturation" will be lengthened and performance will be reduced.

DO NOT paint the transducer. Performance will be affected.

1.4.4 How to install a triducer

DO NOT over-tighten screws, to prevent damage to the transducer.

Tools and materials required

- Scissors
- Safety goggles
- Electric drill
- Drill bit:
 - For bracket holes: 4 mm, #23, or 9/64"
 - For fiberglass hull: chamfer bit (preferred), 6 mm, or 1/4"
 - For transom hole: 9 mm or 3/4" (optional)
 - For cable clamp holes: 3 mm or 1/8"
- Straight edge
- Pencil
- Water-based anti-fouling paint (mandatory in salt water)
- Masking tape
- Dust mask
- Screwdrivers
- Marine sealant
- Cable ties

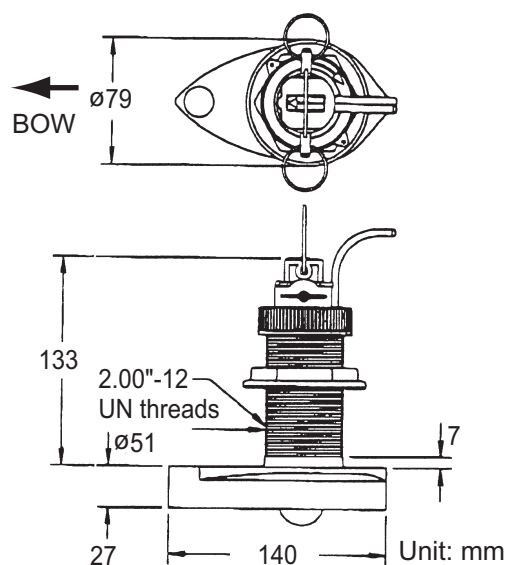
525STID-MSD

The optional triducer 525STID-MSD is designed for thru-hull mounting. Note the following points when installing.

- Select a location where turbulence or bubbles do not occur when cruising.
- Select a location where noises from propellers and stripe lines are lessened.
- The transducer must always remain submerged, even when the boat is rolling, pitching or up on a plane at high speed.

525STID-PWD

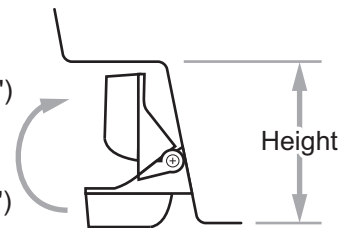
The optional triducer 525STID-PWD is designed for transom mounting.



However, select the location where influences from bubbles and turbulences to ensure the best performance. Allow adequate space above the bracket for it to release and rotate the sensor upward as shown in the right illustration.

Height without speed sensor
191 mm (7-1/2")

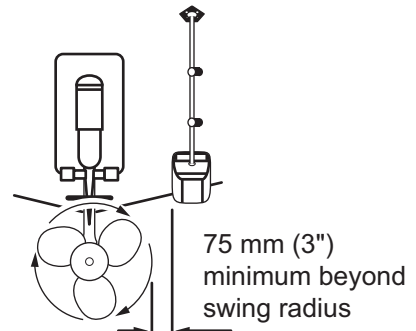
Height with speed sensor
213 mm (8-1/2")



Mount the sensor close to the centerline of your boat. On slower heavier displacement hulls, positioning it farther from the centerline is acceptable.

For single drive boat, mount on the star-board side at least 75 mm (3") beyond the swing radius of the propeller, as shown in the right figure.

For twin drive boat, mount between the drives.



Note 1: Do not mount the sensor in an area of turbulence or bubbles, near water intake or discharge openings; behind strakes, struts, fittings, or hull irregularities; behind eroding paint (an indication of turbulence).

Note 2: Avoid mounting the sensor where the boat may be supported during trailering, launching, hauling, and storage.

Pretest for speed and temperature

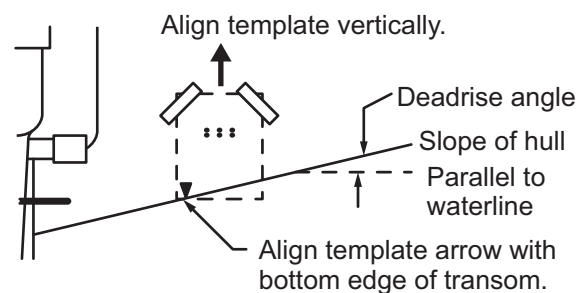
Connect the sensor to the instrument and spin the paddlewheel. Check for a speed reading and the approximate air temperature. If there is no reading, return the sensor to your place of purchase.

How to install the bracket

1. Cut out the installation template (enclosed with transducer) along the dotted line.
2. At the selected location, position the template, so the arrow at the bottom is aligned with the bottom edge of the transom. Being sure the template is parallel to the waterline, tape it in place.

Warning: Always wear safety goggles and a dust mask.

3. Using a 4 mm, #23, or 9/64" bit, drill three holes 22 mm (7/8") deep at the locations indicated. To prevent



1. MOUNTING

drilling too deeply, wrap masking tape around the bit 22 mm (7/8") from the point.
Fiberglass hull: Minimize surface cracking by chamfering the gelcoat. If a chamfer bit or countersink bit is not available, start drilling with a 6mm or 1/4" bit to a depth of 1 mm (1/16").

- If you know your transom angle, the bracket is designed for a standard 13° transom angle.
 11°-18° angle: No shim is required. Skip to step 3 in "Adjustments".
 Other angles: The shim is required. Skip to step 2 of "Adjustments".
 If you do not know the transom angle, temporarily attach the bracket and sensor to the transom to determine if the plastic shim is needed.
- Using the three #10 x 1-1/4" self-tapping screws, temporarily screw the bracket to the hull. DO NOT tighten the screws completely at this time. Follow steps 1-4 in "How to attach the sensor to the bracket", before proceeding with "Adjustments".

Adjustments

- Using a straight edge, sight the underside of the sensor relative to the underside of the hull. The stern of the sensor should be 1-3 mm (1/16-1/8") below the bow of the sensor or parallel to the bottom of the hull.

Note: Do not position the bow of the sensor lower than the stern because aeration will occur.

- To adjust the sensor's angle relative to the hull, use the tapered plastic shim provided. If the bracket has been temporarily fastened to the transom, remove it. Key the shim in place on the back of the bracket.

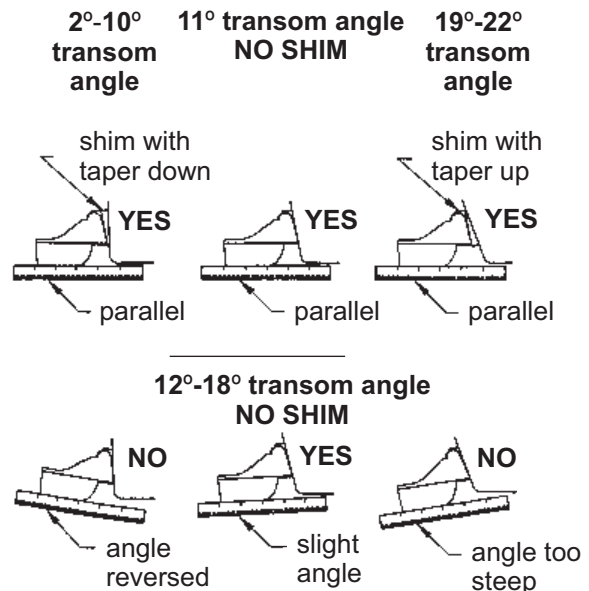
2°-10° transom angle (stepped transom and jet boats): Position the shim with the tapered end down.

19°-22° transom angle (small aluminum and fiberglass boats): Position the shim with the tapered end up.

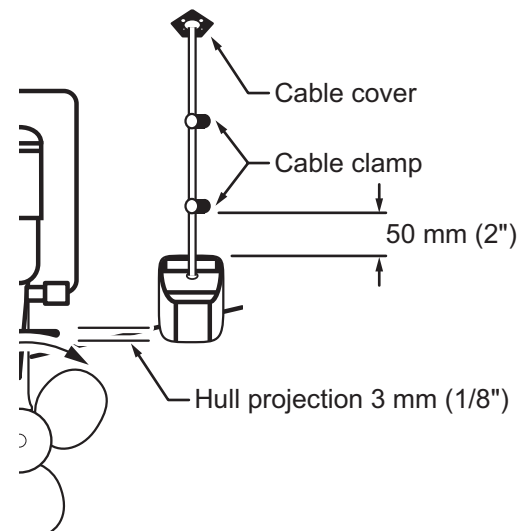
- If the bracket has been temporarily fastened to the transom, remove it. Apply a marine sealant to the threads of the three #10 x 1-1/4" self-tapping screws to prevent water seeping into the transom. Screw the bracket to the hull. Do not tighten the screws completely at this time.

- Repeat step 1 to ensure that the angle of the sensor is correct.

Note: Do not position the sensor farther into the water than necessary to avoid increasing drag, spray, and water noise and reducing boat speed.

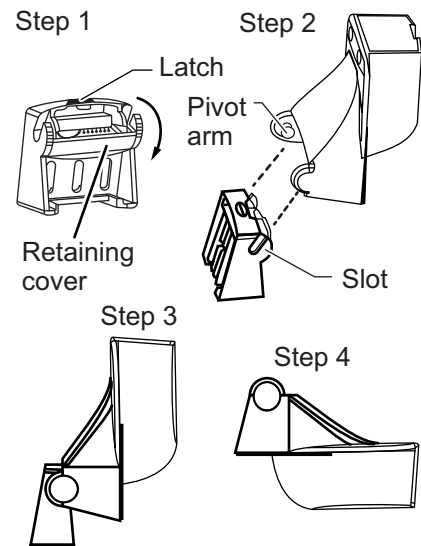


- Using the vertical adjustment space on the bracket slots, slide the sensor up or down to provide a projection of 3 mm (1/8"). Tighten the screws.



How to attach the sensor to the bracket

- If the retaining cover near the top of the bracket is closed, open it by depressing the latch and rotating the cover downward.
- Insert the sensor's pivot arms into the slots near the top of the bracket.
- Maintain pressure until the pivot arms click into place.
- Rotate the sensor downward until the bottom snaps into the bracket.
- Close the retaining cover to prevent the accidental release of the sensor when your boat is underway.



How to route the cable

Route the sensor cable over the transom, through a drain hole, or through a new hole drilled in the transom above the waterline. If a hole must be drilled, choose a location well above the waterline. Check for obstructions such as trim tabs, pumps, or wiring inside the hull. Mark the location with a pencil. Drill a hole through the transom using a 19 mm or 3/4" bit (to accommodate the connector). Always wear safety goggles and a dust mask.



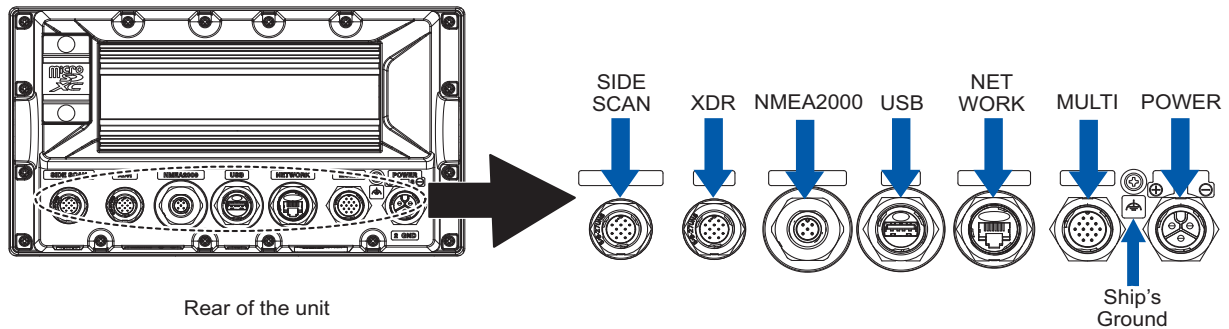
- Route the cable over or through the transom. On the outside of the hull secure the cable against the transom using the cable clamps. Position a cable clamp 50 mm (2") above the bracket and mark the mounting hole with a pencil.
- Position the second cable clamp halfway between the first clamp and the cable hole. Mark this mounting hole.

1. MOUNTING

3. If a hole has been drilled in the transom, open the appropriate slot in the transom cable cover. Position the cover over the cable where it enters the hull. Mark the two mounting holes.
4. At each of the marked locations, use a 3 mm or 1/8" bit to drill a hole 10 mm (3/8") deep. To prevent drilling too deeply, wrap masking tape around the bit 10 mm (3/8") from the point.
5. Apply marine sealant to the threads of the #6 x 1/2" self-tapping screw to prevent water from seeping into the transom. If you have drilled a hole through the transom, apply marine sealant to the space around the cable where it passes through the transom.
6. Position the two cable clamps and fasten them in place. If used, push the cable cover over the cable and screw it in place.
7. Route the cable to the display unit being careful not to tear the cable jacket when passing it through the bulkhead(s) and other parts of the boat. To reduce electrical interference, separate the sensor cable from other electrical wiring and "noise" sources. Coil any excess cable and secure it in place with zip-ties to prevent damage.

2. WIRING

2.1 Interface Connections (Rear of the unit)



Analog video input

The TZT10X/13X can use regular analog video inputs (PAL or NTSC) that connect to the TZT10X/13X directly via the Video In connector on the optional MULTI cable (connected to the MULTI port). Analog video can be viewed only on the equipment where the source is connected.

Additionally a single FLIR camera may be connected to the TZT10X/13X. Connect the Video Out cable from the camera to the Video In cable on the TZT10X/13X.

Note: Some camera models may require an adapter for connection.

Cameras may be set up using the appropriate menu item on the [Camera] menu, accessed from the [Settings] menu. For details on camera setup, see the operator's manual (OME-45240-x)

Network

You can connect an external network device using a LAN cable. Use HUB-101 (option) when connecting multiple devices. The MCU-005 can also be connected via a PoE hub.

NMEA2000 (CAN bus) port

TZT10X/13X can be connected to multiple compatible NavNet TZT units using a micro type NMEA 2000 connector. Connect them all to the same network backbone cable (Refer to section 2.7 for details).

MULTI port

You can connect to external devices such as buzzers and event switches. Refer to section 2.4 for details.

USB port

The TZT10X/13X has one USB Ver. 2.0 port and one USB Ver. 3.0 port which can be used to connect a remote control unit and/or to control a touch monitor.

XDR port

The type and combination of transducer determines the port to which the transducer cable is connected.

Note 1: Supply voltages are different depending on XDR ports. Be sure to connect each transducer to the correct port (see the table below).

Note 2: When using the optional extension cable (for 10-pin: C332 10M, for 12-pin: FRU-CCB12-DA-10M), keep the following points in mind.

- Detection performance may be degraded.
- False positives (under-display of fish length, reduced number of detections, false detection of single fish) may occur when using the ACCU-FISH™ function.
- Values measured by the ship speed sensor may differ from the actual values.
- TD-ID may not work.

2.2 Power Cable

Connect the power cable (FRU-3P-FF-A002M-001, 2 m, supplied) to the POWER connector. When connecting the power supply, connect the positive and negative terminals correctly.

Note: Turn off the power at the switchboard before beginning the connection.

2.3 Grounding Wire

Connect one end of a ground wire (1V-8sq., local supply) to the ship's ground terminal on the rear panel with a crimp-on lug (φ5, local supply). Connect the other end to ship's ground.

2.4 MULTI Cable




Use the optional MULTI cable for the NMEA 0183 equipment, external buzzer to supply power to the NMEA 2000. The connector has 14 wires and a connector (SMP-11V). Use the table below for reference and connector (SMD-11V, local supply) when connecting the MULTI cable.

Wire color	Function	Description
Blue	NMEA-TD-B	NMEA 0183 Output
White	NMEA-TD-A	
Gray	BUZZER	External buzzer ON/OFF
Red	12 V_OUT+	External buzzer power (12 V)
Orange	EVENT_SW	Event switch (MOB, etc.)
Black	GND	Grounding for +12V/EVENT_SW
Purple	PWR_SW	Power switch
Brown	KPI	5-12 VDC, Positive
Red/White	KPO	12 VDC, Positive
Black/White	GND	Grounding for KP

Wire color	Function	Description
Brown/White	GND	Grounding for power switch
Braided (external)	SHIELD	FG
Signal	Signal	For video input (RCA Jack)
Braided (internal)	GND	For video signal

2.4.1 How to set up NMEA 0183 data output

Note: To set up data input from NMEA 0183 equipment, see "NMEA 0183 equipment data input" on page 2-5.

1. Tap the [FURUNO] icon () to show the home screen.
2. Tap [Settings], drag the menu to show [Initial Setup], then tap [Initial Setup].
3. Drag the menu to show [NMEA0183 Output], then tap [NMEA0183 Output].
4. Tap [Baud Rate] to set the output baud rate. Available options are [4,800], [9,600] and [38,400].
5. Tap the appropriate setting then tap the  icon.
6. Tap [NMEA-0183 Version] to set the version. Available options are [1.5], [2.0] and [3.0].
7. Tap the appropriate setting then tap the  icon.
8. Select the sentences to output. Tap a sentence, then tap its flipswitch to set the sentence to [ON].
9. Tap the [Close] icon at the top right of the screen to close the menus.

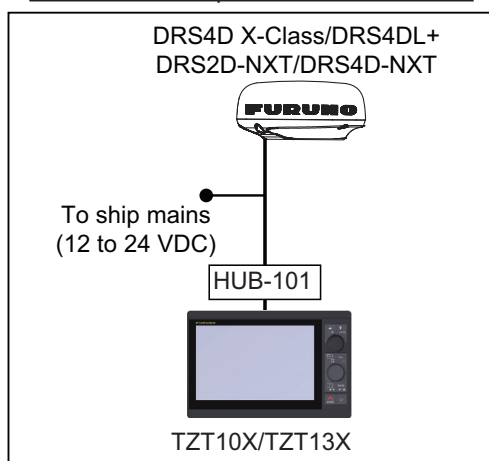
2.5 DRS Radar Sensor Connections

The figures below show connection examples with radar sensors which are compatible with the TZT10X/13X.

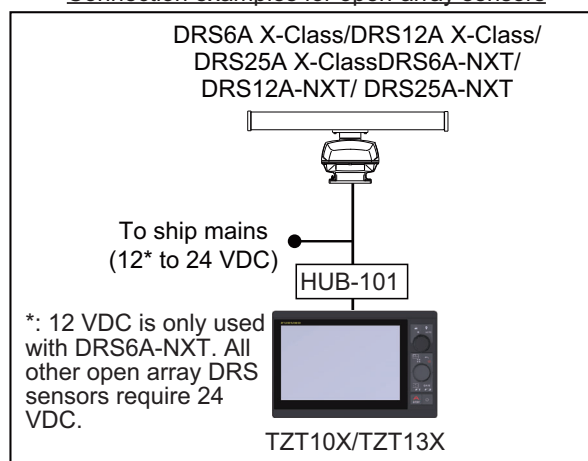
For details regarding connection and cables required for connection with the radar sensor, see the radar sensor's installation manual.

Note: DRS2D-NXT and DRS4D-NXT cannot be used in Japan.
DRS4D X-Class is for Japanese market only.

Connection examples for radome sensors



Connection examples for open-array sensors



2.6 Network Connection with Other TZT Series Units

Your TZT10X/13X is equipped with a network connector (RJ45). Like previous NavNet series equipment, the TZT10X/13X is able to share Radar images and other information, across an Ethernet connection. Up to six NavNet TZtouch units may be connected to the same network at one time (see page iii for the details). However, for configurations with one or more TZT2BB included, the maximum number of networked NavNet TZtouch units is four. For example, a configuration with one TZT10X/13X and one TZT12F can have two TZT2BB units connected.

2.7 NMEA 2000 Connector

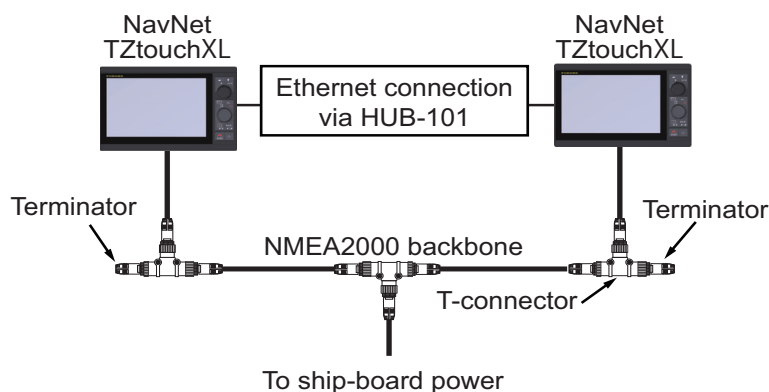
The TZT10X/13X has one NMEA 2000 connector (micro type connector). All TZT10X/13X must be connected to the same NMEA 2000 backbone.

What is NMEA 2000?

NMEA 2000 (also known as CAN bus) is a communication protocol that shares multiple data and signals through a single backbone cable. You can simply connect any NMEA 2000 devices onto the backbone cable to expand your network on-board. With NMEA 2000, IDs are assigned to all the devices in the network, and the status of each sensor in the network can be detected. All the NMEA 2000 devices can be incorporated into the NMEA 2000 network. For detailed information about NMEA 2000 wiring, see "FURUNO CAN bus Network Design Guide" (Type: TIE-00170).

2.7.1 How to connect the NavNet TZtouchXL to NMEA 2000 equipment

Below is an example of two units, connected to NMEA 2000 sensors via the network.



Note 1: The NMEA 2000 network requires a dedicated NMEA 2000 power supply. Turn the NMEA 2000 network power on before turning your connected equipment on.

Note 2: Terminators must be installed at both ends of the NMEA 2000 backbone cable. See the "EQUIPMENT LISTS" on page iv for available terminators.

2.7.2 NMEA 0183 equipment data input

Note: To output NMEA 0183 data, see paragraph 2.4.1.

To connect NMEA 0183 equipment to TZZ10X/13X, use the NMEA 2000 network via the optional NMEA data converter IF-NMEA2K2 (or IF-NMEA2K1). This NMEA connection can accept a baud rate of 4800 or 38400.

Heading input to TZZ10X/13X allows functions such as radar overlay and course stabilization (North up, etc.) in the radar operating modes. The NMEA 0183 heading refresh rate needs to be 100 ms in order for any radar function to work properly. NMEA 0183 heading can be accepted on any NMEA 2000 port at a baud rate up to 38400 bps.

Note 1: When using the ARPA function, set the heading refresh rate to 100 ms.

Note 2: For more information on connecting and wiring IF-NMEA2K2, refer to their respective installation manuals.

2.7.3 NMEA 2000 input/output

Input PGN

PGN	Description
059392	ISO Acknowledgment
059904	ISO Request
060160	ISO Transport Protocol, Data Transfer
060416	ISO Transport Protocol, Connection Management - BAM group function
060928	ISO Address Claim
061184	Self Test Group Function (Proprietary PGN)
065240	ISO Commanded Address
065280	Heave (Proprietary PGN)
126208	NMEA-Request Group Function
	NMEA-Command Group Function
	NMEA-Acknowledge Group Function
126464	PGN List - Transmit PGN's group function
126720	Memory Clear Group Function (Proprietary PGN)
126992	System Time
126996	Product Information
126998	Configuration Information
127237	Heading/Track Control
127245	Rudder
127250	Vessel Heading
127251	Rate of Turn
127252	Heave
127257	Attitude
127258	Magnetic Variation
127488	Engine Parameters, Rapid Update
127489	Engine Parameters, Dynamic
127493	Transmission Parameters, Dynamic
127498	Engine Parameters, Static
127503	AC Input Status
127505	Fluid Level

2. WIRING

PGN	Description
127506	DC Detailed Status
127508	Battery Status
128259	Speed
128267	Water Depth
129025	Position, Rapid Update
129026	COG &SOG, Rapid Update
129029	GNSS Position Data
129033	Local Time Offset
129038	AIS Class A Position Report
129039	AIS Class B Position Report
129040	AIS Class B Extended Position Report
129041	AIS Aids to Navigation (AtoN) Report
129291	Set &Drift, Rapid Update
129538	GNSS Control Status
129540	GNSS Satellites in View
129793	AIS UTC and Date Report
129794	AIS Class A Static and Voyage Related Data
129795	AIS Addressed Binary Message
129797	AIS Binary Broadcast Message
129798	AIS SAR Aircraft Position Report
129801	AIS Addressed Safety Related Message
129802	AIS Safety Related Broadcast Message
129808	DSC Call Information
129809	AIS Class B "CS" Static Data Report, Part A
129810	AIS Class B "CS" Static Data Report, Part B
130306	Wind Data
130310	Environmental Parameters
130311	Environmental Parameters
130312	Temperature
130313	Humidity
130314	Actual Pressure
130316	Temperature, Extended Range
130576	Trim Tab Status
130577	Direction Data
130578	Vessel Speed Component
130817	Furuno GNSS Control Status (Proprietary PGN)
130818	Heading & Attitude Sensor Control Status (Proprietary PGN)
130820	Motion Sensor Status(Proprietary PGN)
130822	130822 Unit Division Code(Proprietary PGN)
130823	Browser Control Status(Proprietary PGN)
130826	Multi Sats In View (Proprietary PGN)
130827	NAVpilot General Message (Proprietary PGN)
130828	Mark Position Information(Proprietary PGN)
130845	Multi Sats in View Extended (Proprietary PGN)
130846	Motion Sensor Status Extended (Proprietary PGN)
130848	Water Current Layer (Proprietary PGN)
130880	Additional Weather Data(Proprietary PGN)

Output PGN

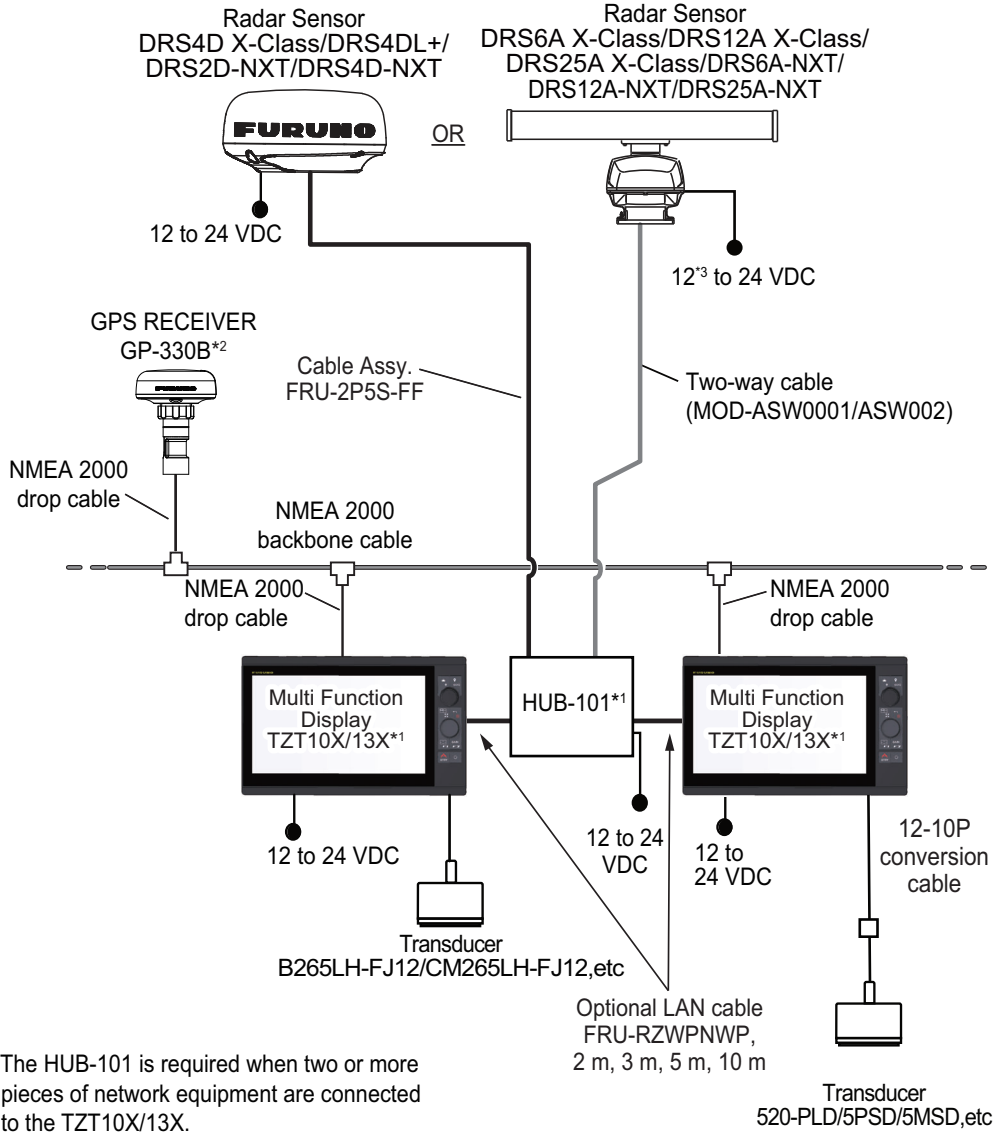
The NMEA 2000 output PGN setting (found under the [Initial Setup] menu) is global to the network. Note that only one TZT10X/13X will output NMEA 2000 data on the network at a time: the TZT10X/13X which is powered ON first. If that display is turned OFF, another will take its place to output the data.

PGN	Description	Output cycle (msec)
059392	ISO Acknowledgement	
059904	ISO Request	
060928	ISO Address Claim	
061184	Self Test Group Function (Proprietary PGN)	
065287	HID Target Status (Proprietary PGN)	
126208	NMEA-Request group function	
	NMEA-Command group function	
	NMEA-Acknowledge group function	
126464	PGN List-Transmit PGN's group function	
	PGN List-Received PGN's group Function	
126720	Memory Clear Group Function (Proprietary PGN)	
126992	System Time	1000
126993	Heartbeat	
126996	Product Information	
126998	Configuration Information	
127250	Vessel Heading	100
127251	Rate of Turn	100
127257	Attitude	1000
127258	Magnetic Variation	1000
128259	Speed	1000
128267	Water Depth	1000
128275	Distance Log	1000
129025	Position, Rapid Update	100
129026	COG & SOG, Rapid Update	250
129029	GNSS Position Data	1000
129033	Local Time Offset	1000
129283	Cross Track Error	1000
129284	Navigation Data	1000
129285	Navigation-Route/WP information	
130306	Wind data	100
130310	Environmental Parameters	500
130312	Temperature	2000
130313	Humidity	2000
130314	Actual Pressure	2000
130316	Temp., Extended Range	2000
130821	NAV Source Select (Proprietary PGN)	
130822	Unit Division Code (Proprietary PGN)	
130823	Browser Control Status (Proprietary PGN)	
130827	NAVpilot General Message (Proprietary PGN)	
130841	N2K System Setup Information (Proprietary PGN)	

2.8 Example TZT10X/13X System Configuration

Mid/Large-size vessels (External GPS, Fish Finder, Radar)

This is a single station chart plotter/radar/fish finder installation. Refer to "SYSTEM CONFIGURATION" on page ii for more details.



*1: The HUB-101 is required when two or more pieces of network equipment are connected to the TZT10X/13X.

*2: Backup

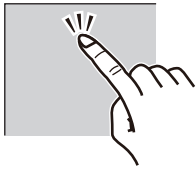

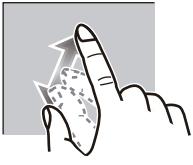

*3: 12 VDC is only used with DRS6A-NXT.
All other open array DRS sensors require 24 VDC.

3. HOW TO SET UP THE EQUIPMENT

This chapter shows you how to set up your system according to the equipment you have connected.

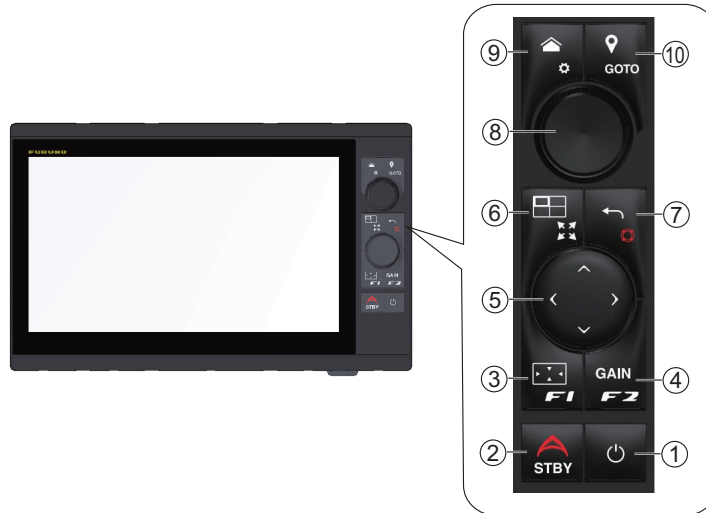
Touch control description


The touch control depends on the screen type. The basic operations to use during the installation setup are in the following table.

	Operating by a finger	Function
Tap		<ul style="list-style-type: none"> • Select a menu item. • Select a setting option where there are multiple options. • Select an object. • Display the pop-up menu where available.
Drag		<ul style="list-style-type: none"> • Scroll the menu.
Pinch	  Zoom in Zoom out	Change the fish finder, chart plotter and radar range.

3. HOW TO SET UP THE EQUIPMENT

Control description





No.	Item	Function
1	 (Power switch)	<ul style="list-style-type: none"> • Short push: Turns the power on. Pushing the switch with the unit powered displays the [Quick Access] window. <p><u>[Quick Access] window</u></p> <ul style="list-style-type: none"> • Toggles radar, fish finder, multibeam sonar and Navpilot between transmit and stand-by. • Adjusts the display brilliance and hue, and selects the day or night mode . • Turns the power off (device or network). • Locks, unlocks the touch screen.
2	AUTO /STBY key	<p>Switches autopilot steering mode between automatic and manual, when connected to a FURUNO NAVpilot. When the mode is switched, a beep sounds and one of the following messages appear.</p> <p>Manual mode→Automatic mode: "Navpilot has started". Automatic mode→Manual mode: "Navpilot navigation canceled".</p>
3	Edge swipe/F1 key	<p>Short push: Displays edge swipes (see "Edge Swipe" on page 1-43) on the screen, to use the optional remote control to display the Layer menu, Slide-out menu, Quick page, Data area.</p> <p>Long push: Does the function assigned to the two finger tap function.</p>
4	GAIN/F2 key	<p>Short push:</p> <ul style="list-style-type: none"> • Fish finder: Displays the gain/clutter adjustment bar. • Radar: Displays the gain/sea clutter/rain clutter adjustment bar. <p>Long push: Does the function assigned to the two finger tap function.</p>
5	Cursorpad	Moves the cursor.
6	CTRL/Full Screen key	<p>Short push: Switches between the active and inactive display screen.</p> <p>Long push: Switches the size of the active screen between full size screen and split screen.</p> <p>Note: Any NavNet TZtouch3, NavNet TZtouch XL in the network is also switched.</p>

No.	Item	Function
7	CANCEL/MOB key	<p>Short push:</p> <ul style="list-style-type: none"> • Moves vessel icon to center of screen. • Closes open menu or window. • Goes back one layer in current menu. • Quits the tool mode (when creating a route; moving points). • Quits the fish finder echo history display to return to the normal display <p>Long push: Places the MOB mark at current position, and sets that position as the GOTO waypoint</p>
8	RotoKey™	<p>Push:</p> <ul style="list-style-type: none"> • Selects cursor position (pop-up menu opens). • Confirms selection of item. <p>Rotate:</p> <ul style="list-style-type: none"> • Selects range for chart plotter, radar, fish finder. • Selects menu items. • Increases, decreases numeric value.
9	HOME/Setting key	<p>Short push: Opens the Home page.</p> <p>Long push: Opens the [Settings] menu.</p>
10	EVENT/GOTO key	<p>Short push: Registers current position as an event mark*.</p> <p>Long push: Sets selected point as GOTO waypoint.</p> <p>*: Event mark color and shape according to the setting of [Default Event Mark Color], [Default Event Mark Symbol], respectively, in the [Points & Boundaries] menu.</p>

How to operate the menus

The following procedure shows how to use the menu system.

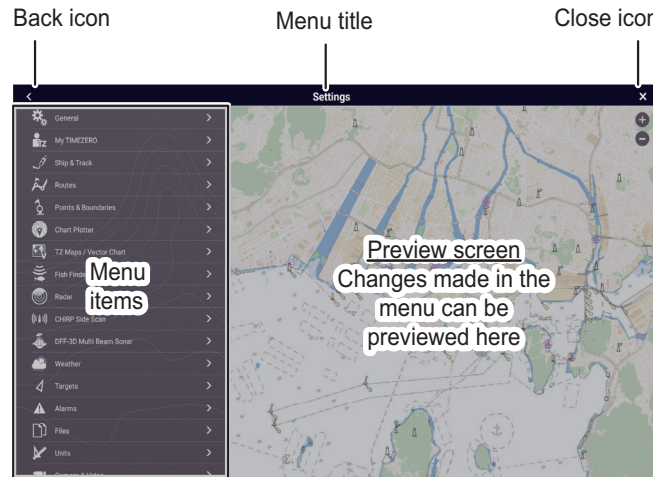
1. Tap  (power switch) to turn the power on.
2. After the startup process completes, the last-used display appears and a warning message is displayed. After reading the message, tap [OK].
3. Tap the **FURUNO** icon () to show the home screen and available display modes.







4. Tap [Settings] to open the [Settings] menu.

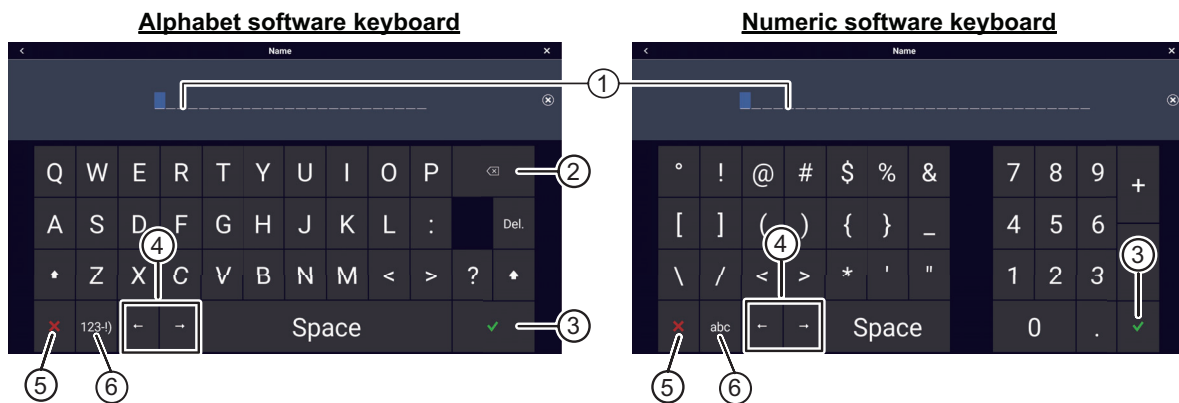
3. HOW TO SET UP THE EQUIPMENT

5. Scroll the menu to show [Initial Setup], then tap [Initial Setup].



6. Depending on the menu item selected, the following operations are available:

- ON/OFF flipswitch. ON  OFF 
Tap to switch between ON and OFF to activate or deactivate the function.
- Sidebar and keyboard icon. 
Drag the slider bar to adjust the setting. Settings may also be adjusted using the software keyboard for direct input.
- Keyboard icon. 
Referring to the figure below, use the software keyboard to input alphabet or numeric characters.




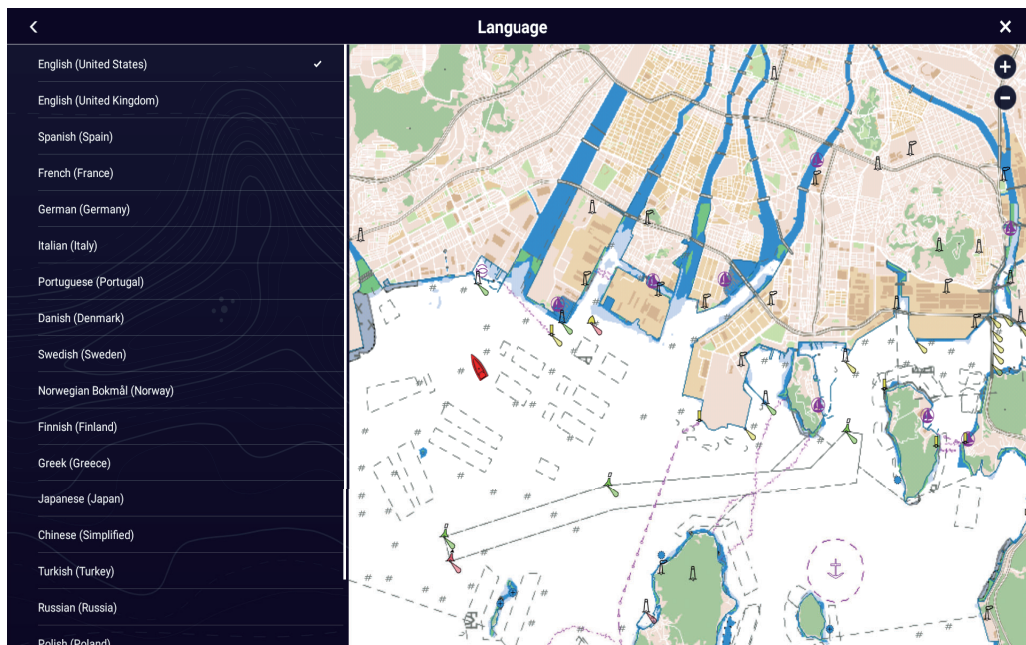
No.	Description
1	Cursor position is highlighted.
2	Backspace/Delete. Tap to erase one character at a time.
3	Enter button. Tap to complete character input and apply changes.
4	Cursor keys. Tap to move the cursor left/right.
5	Cancel button. Aborts character entry. No changes are applied.
6	Tap to switch between alphabet and numeric keyboards (where available).

7. Tap the close button (x) at the top right-hand side of the screen to exit.

3.1 How to Set Time Zone, Time Format and Language


Before setting up your equipment, select the time zone, language and units to use on your equipment as shown below.

1. Tap the **FURUNO** icon () to show the home screen and display mode settings.
2. Tap [Settings] to show the [Settings] menu.
3. Tap [General] to show the [General] menu.
4. Tap [Local Time Offset], and a numerical keyboard appears.
5. Input the time difference (using 15-minute intervals), then tap [✓].
6. Tap [Time Format] to show its option window.
7. Select how to display time, in 12- or 24-hour format. [Auto] automatically inserts AM, PM indication in 24-hour clock, when the language is English.
8. Tap [<] at the top left of the screen to return to the [General] menu.
9. Tap [Language] to show the [Language] menu.



10. Tap the appropriate language to use. The unit will display a confirmation message. Tap [OK] to restart the unit and apply the new language settings. This process takes approximately five minutes to optimize the system for the new language setting. When the process is completed (five minutes later), the system restarts automatically.

3.2 How to Set Units of Measurement


1. Tap the **FURUNO** icon () to show the home screen and display mode settings.
2. Tap [Settings] to show the [Settings] menu.
3. Scroll the main menu to display [Units], then tap [Units].
4. Referring to the table below, set the units to show on the display.

Menu item	Description	Options
[Bearing Display]	Adjust the bearing display format.	[Magnetic], [True]
[True Wind Calculation Reference]	Set the reference for calculating true wind speed/angle.	[Ground], [Surface]
[Position Format]	Set the display format for position (Latitude/Longitude).	[DDD°MM.mmmm'], [DDD°MM.mmm'], [DDD°MM.mm'], [DDD°MM'SS.ss"], [DDD.ddddd°], [Loran-C], [MGRS]
[Loran C Station & GRI]	Available when [Position Format] is selected to [Loran-C].	Set Loran C station and GRI combination.
[Short/Long Change Over]	Set the distance at which to change between short and long range.	[0.0] to [2.0] (NM)
[Range (Long)]	Set the unit of measurement for long distances.	[Nautical Mile], [Kilometer], [Mile]
[Range (Short)]	Set the unit of measurement for short distances.	[Foot], [Meter], [Yard]
[Depth]	Set the unit of measurement for depth.	[Foot], [Meter], [Fathom], [Passi Braza]
[Height/Length]	Set the unit of measurement for height and length.	[Foot], [Meter]
[Fish Size]	Set the unit of measurement for fish sizes.	[Inch], [Centimeter]
[Temperature]	Set the unit of measurement for temperature.	[Fahrenheit Degree], [Celsius Degree]
[Boat Speed]	Set the unit of measurement for boat speed.	[Knot], [Kilometer per Hour], [Mile per Hour], [Meter per Second]
[Wind Speed]	Set the unit of measurement for wind speed.	[Knot], [Kilometer per Hour], [Mile per Hour], [Meter per Second]
[Atmospheric Pressure]	Set the unit of measurement for atmospheric pressure.	[HectoPascal], [Millibar], [Millimeter of Mercury], [Inch of Mercury]
[Oil Pressure]	Set the unit of measurement for oil pressure.	[KiloPascal], [Bar], [Pound per Square Inch]
[Volume]	Set the unit of measurement for tank volume.	[Gallon] (Gallon & Gallon/hour), [Litre] (Litre & Litre/hour)
[Reset Default Settings]	Restore default unit settings.	[OK], [Cancel]

3.3 Initial Setup

This section shows you how to set your system according to the sensors you have connected.

Note: Some units are set to metric in this section, actual setting ranges vary depending on the unit of measurement set in the [Units] menu.

1. Tap the **FURUNO** icon () to show the home screen and display mode settings.
2. Tap [Settings] to show the [Settings] menu.
3. Drag the main menu, then tap [Initial Setup] to show the [Initial Setup] menu.
4. Referring to the tables on the following pages, set your equipment.

[Boat Information] section

Menu item	Description	Options (setting range)
[Boat Height]	Set the height of your boat.	0 (m) to 999 (m)
[Boat Width]	Set the width of your boat.	0 (m) to 999 (m)
[Boat Length]	Set the length of your boat.	0 (m) to 999 (m)
[Boat MMSI]	Set the MMSI for your boat (used for fleet tracking function only).	
[Boat Name]	Set the name for your boat (used for fleet tracking function only).	
[Size of Own Ship Icon]	Set the size of own ship icon.	50 to 150
[Depth Display]	Select the start point for depth measurement.	[Under Keel], [Under Sea Level]
[External Transducer Draft]	Set the draft for external transducers other than internal fish finder, networked or multi-beam sonar. For internal/network transducers , set the draft from Home screen→[Settings]→[Fish Finder]→[Fish Finder Initial Setup]→[Transducer Draft]. For multi-beam sonars , set the draft from Home screen→[Settings]→[Multi-beam Sonar]→[Initial Setup]→[Transducer Draft].	0.0 (m) to 99.9 (m)
[Keel Draft]	Set the keel draft.	0.0 (m) to 99.9 (m)
[Engine Count]	Set the number of engines.	0 to 6

[Instruments Setup] section

Menu item	Description	Options (setting range)
[Engine & Tank Automatic Setup]	See "[Engine & Tank Automatic Setup] section" on page 3-12.	
[Engine & Tank Manual Setup]	See "[Engine & Tank Automatic Setup] section" on page 3-12.	
[Graphic Instruments Setup]	See "[Graphic Instruments Setup] section" on page 3-11.	


[Manual Fuel Management] section

Menu item	Description	Options (setting range)
[Total Fuel Capacity]	Enter the total fuel capacity of your tank(s).	0 to 9,999(L).

3. HOW TO SET UP THE EQUIPMENT

Menu item	Description	Options (setting range)
[Manual Fuel Management]	Set to On for manual fuel management. See the Operator's Manual.	Off, On
[Reset Default Page Settings]	Resets [Manual Fuel Management] menu settings to default.	

[Data Sensors] section

Menu Item	Description	Options (setting range)
[Data Sources]	Select the source for each data to input to the system. If two or more sources are connected for a data, select one using the pull-down dialog box. The FURUNO products are shown at the upper part of the list.	
[Sensor List]	Show the information for sensors connected to your equipment. Also, you can set "Nickname" for them here.	
[NMEA0183 Output]	<ul style="list-style-type: none"> [Baud Rate]: Select the baud rate. [NMEA-0183 Version]: Select the version for NMEA 0183. 	<ul style="list-style-type: none"> [4,800], [9,600], [38,400] [1.5], [2.0], [3.0]
	[Sentences]: Select the sentences to output. Note: If the TTM sentence is received at the same time as another sentence, the constraints to communication bandwidth may cause a decrease in the number of TTM targets.	Off, On
[NMEA2000 PGN Output]	Turn On for the PGN's (Parameter Group Number, NMEA 2000 message) to output from the NMEA 2000 port. Note: The default setting of some PGNs is "ON".	Off, On
[Sky View...]	Show the condition of GPS and GEO (WAAS) satellites on the [GPS SkyView] display. The bearing and elevation angle of all GPS and GEO satellites (if applicable) in view of your receiver appear. For the serviceman. Note: The [GPS SkyView] display can also be shown by tapping the GPS icon (shown right) on the Home page.	
[GP330B WAAS Mode]	Turn On to use the WAAS mode for the corresponding GPS antenna.	Off, On
[WS200 WAAS Mode]		
[Reset Default Page Settings]	Resets [Data Sensors] menu settings to default.	

[Network Sensor Setup] section

The [NETWORK SENSOR SETUP] section allows you to set up compatible FURUNO NMEA 2000 sensors. Calibrations and offsets applied in this menu are also applied to the sensor itself.

Tap the sensor to access its menus and settings. For details regarding the menu structure and set up of each sensor, see the appropriate operator's manual, supplied with the sensor.

Menu item	Description	Option (setting range)
[FAX-30 Browser]	Show the Facsimile Receiver FAX-30 display.	
[FA-30 Browser]	Show the AIS Receiver FA-30 display.	

Menu item	Description	Option (setting range)
[FA-50 Browser]	Show the AIS Receiver FA-50 display.	

[SC-30 Setup] section (only when the SC-30 is connected)

Menu item	Description	Options (setting range)
[WAAS Mode]	Turn On to use the WAAS mode.	Off, On
[Heading Offset]	Enter the offset value for heading.	-180° to +180°
[Pitch Offset]	Enter the offset value for pitching.	-90° to +90°
[Roll Offset]	Enter the offset value for rolling.	-90° to +90°

[Data Offset] section

Menu item	Description	Options (setting range)
[Heading]	Offset heading data.	-180.0° to +180.0°
[Speed Through Water]	Calibrate speed data. Enter amount in percentage.	-50% to +50%
[Wind Speed]	Offset wind speed data. Enter amount in percentage.	-50% to +50%
[Wind Angle]	Offset wind angle data.	-180° to +180°
[Sea Surface Temperature]	Offset sea surface temperature data.	-10°C to +10°C
[Reset Default Page Settings]	Resets [Data Offset] menu settings to default.	

[GPS Position] section

Menu item	Description	Options (setting range)
[Longitudinal (from bow)]	Referring to the figure on the right, enter the GPS antenna positioning bow-stern (Longitudinal) and port-starboard (Lateral) position from the origin.	0 (m) to 999 (m)
[Lateral (-Port)]		-99 (m) to +99 (m) Port-side is negative, Starboard-side is positive.
[Reset Default Page Settings]	Resets [GPS Position] menu settings to default.	



[Data Damping] section

Menu item	Description	Options (setting range)
[COG & SOG]	Set data damping time. The lower the setting the faster the response to change.	0 to 59 seconds
[Heading]		
[Speed Through Water]		
[Wind Speed & Angle]		
[Rate of Turn]		
[Reset Default Page Settings]	Resets [Data Damping] menu settings to default.	

[IF-NMEAFl Setup] section

Menu item	Description	Options (setting range)
[Select IF]	Select [IF-NMEAFl] to set the analog data that is input from the IF-NMEAFl. The setting is made after restarting the IF-NMEAFl.	
[Category]	Select the use (category) for this sensor.	[Wind], [ST800_850], [Fuel], [FreshWater], [WasteWater], [LiveWell], [Oil], [BlackWater]

3. HOW TO SET UP THE EQUIPMENT

Menu item	Description	Options (setting range)
[Resistance Full]	The resistance, in Ohms, when the tank is full.	0 (ohm) to 500 (ohm)
[Resistance Mid]	The resistance, in Ohms, when the tank is half full.	0 (ohm) to 500 (ohm)
[Resistance Empty]	The resistance, in Ohms, when the tank is empty.	0 (ohm) to 500 (ohm)
[Capacity]	The capacity of the tank.	0 (G) to 2650 (G)
[Fluid Instance]	Select the NMEA instance for the tank.	000 to 254
[Self test]	Test results are displayed.	
[Set Hardware to Factory Default]	Resets the converter selected at [Select IF] to factory default.	[OK], [Cancel]

[Fusion] section

Menu item	Description	Options (setting range)
[Connect to Fusion]	Connects to your Fusion equipment.	
[Fusion Auto Volume]	Turn On to allow the TZT10X/13X unit to control the FUSION volume automatically.	Off, On
[Minimum Speed]	Set the minimum speed threshold. Exceeding this speed activates volume auto control.	0.0 (kn) to 98.9 (kn)
[Maximum Speed]	Set the maximum speed threshold.	0.1 (kn) to 99.0 (kn)
[Volume Increase]	Set the amount of extra volume to output .	10% to 50%
[Reset Default Page Settings]	Resets [Fusion] menu settings to default.	

[Service/Self Test/Log] section

Menu item	Description	Option (setting range)
[Synchronization Log]	Shows synchronization with devices connected to the network.	
[Enable NMEA2000 Log]	Turn On when using NMEA 2000 log.	Off, On
[NMEA2000 Log Storage Location]	Show the location where to store the log.	
[Quick Self Test]	Displays various details regarding the TZT10X/13X unit, radar and fish finder.	
[Certification Mark]	Displays relevant certification for this equipment.	
[Service]	Requires login password. For the service technician.	
[Reset Default Page Settings]	Resets [Service/Self Test/Log] menu settings to default.	

[Home Page] Section

Menu item	Description	Options (setting range)
[Factory Reset]	Click [OK] to restore the [HOME] screen's default settings.	

Other menu items

Menu item	Description	Option (setting range)
[Chart Master Device]	Turn On to use this unit as the master, Off to use this unit as a slave.	
[System ID]	The system ID for this device within the network.	

Menu item	Description	Option (setting range)
[Event Input Configuration]	Set the function for the event switch. <ul style="list-style-type: none"> • [Off]: Turns off the event switch function. • [Event Mark]: Inputs an event mark at the current position. • [MOB]: Inputs the MOB at the current position. • [Ferry mode (bow azimuth reversal)]: Turns ferry mode on or off. 	[OFF], [Event Mark], [MOB], [Ferry]
[Update Network Equipments]	For the service technician.	
[Remote Controller Configuration]	When there are multiple units in the NavNet network, the Remote Control Unit MCU-004/-005/-006 can select the display to show on the unit with MCU-004/-005/-006 connection. Further, the cycling order of displays can be set. See the Operator's Manual.	
[Sirius Radio Diagnostic]	Check the satellite radio of the FURUNO BBWX SiriusXM weather receiver for proper operation. See the Operator's Manual.	
[Sirius Weather Diagnostic]	Check the weather section of the FURUNO BBWX SiriusXM weather receiver for proper operation. See the Operator's Manual.	
[Reset Default Settings]	Reset the system to default settings.	[OK], [Cancel]

[Graphic Instruments Setup] section

Menu Item	Description	Options (setting range)
[Maximum Boat Speed]	Set the transducer's maximum detectable speed.	1 (kn) to 99 (kn)
[Maximum Wind Speed]	Set the transducer's maximum detectable speed.	1 (kn) to 99 (kn)

[Graphic Instruments Setup] - [Depth]

Menu Item	Description	Options (setting range)
[Minimum Depth]	Set the transducer's minimum detectable depth.	1 (m) to 1999 (m)
[Maximum Depth]	Set the transducer's maximum detectable depth.	1 (m) to 2000 (m)

[Graphic Instruments Setup] - [Sea Surface Temperature]

Menu Item	Description	Options (setting range)
[Minimum Sea Surface Temperature]	Set the transducer's minimum detectable temperature.	0.00°C to 98.99°C
[Maximum Sea Surface Temperature]	Set the transducer's maximum detectable temperature.	0.01°C to 99.99°C

[Graphic Instruments Setup] - [Propulsion Engine] or [Other Engine]

Menu Item	Description	Options (setting range)
[Max. RPM]	Set the maximum rpm of your engine to show on the RPM display.	1 (rpm) to 20,000 (rpm)
[Red Zone Oil Pressure]	Set the starting value for the red zone area of the oil pressure meter.	0 (psi) to 143 (psi)
[Max. Oil Pressure]	Set the maximum oil pressure of your engine.	1 (psi) to 144 (psi)

3. HOW TO SET UP THE EQUIPMENT

Menu Item	Description	Options (setting range)
[Min. Temperature]	Set the minimum temperature for your engine.	0.00°C to 99.00°C
[Red Zone Temperature]	Set the starting value for the red zone area of the engine temperature indicator.	0.01°C to 999.00°C

[Graphic Instruments Setup]-[CZone Setup]

Menu item	Description
[Add Default CZone Pages]	Create, edit C-Zone pages.
[CZone DIP Switch Settings]	Set this unit's DIP switches. For the service technician. Do not change the settings.

Menu item	Description	
[Reset Instrument Pages]	Resets all instrument pages to default.	[OK], [Cancel]
[Reset Default Page Settings]	Resets applicable settings to default.	[OK], [Cancel]

[Engine & Tank Automatic Setup] section

The TZT10X/13X will automatically detect engines and tanks connected to the same network.

This is the recommended method for setting up engines and tanks.


[Engine & Tank Manual Setup] section

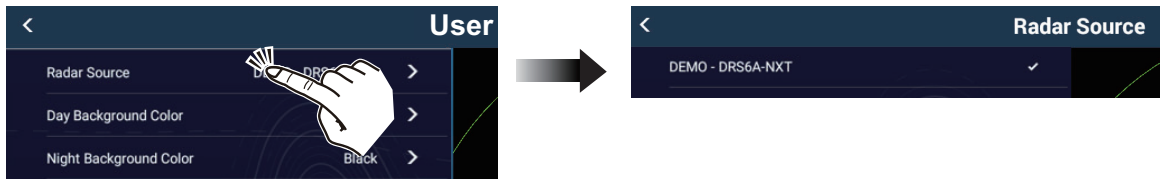
The manual set up method should only be used if the automatic setup did not correctly detect your engines or tanks.



Menu Item	Description	Options (setting range)
[Nickname]	Change the nickname for the engine or tank.	
[Used For Propulsion]	Select which engine/tank is used to calculate the distance which may be traveled using the remaining fuel. [On] uses the engine/tank for calculations, [Off] ignores the engine/tank.	Off, On
[Reset]	Resets the engine/tank details to default.	


3.4 How to Set Up the Radar (For the service technician only)

1. Tap the **FURUNO** icon () to show the home screen and display mode settings.
2. Tap [Radar] from the [Settings] menu.
3. Tap [User Settings]→ [Radar Source], then select the appropriate radar sensor.
Note: If a DRS sensor is connected but does not appear in the [Radar Source] list, close the list and open it again. The name of the DRS sensor should appear with a check mark, as in the example below.



4. Scroll the [Radar] menu display to find the menu item [Radar Initial Setup], then tap [Radar Initial Setup].
5. Referring to the tables which follow, set up the radar.

[Radar] menu - [Radar Initial Setup]

Menu item	Description	Options (setting range)
[Antenna Rotation]	Select the speed of antenna rotation. Not available (greyed out) with the radar sensor DRS4DL+.	[Auto], [24 RPM]
[Antenna Heading Align]	See "How to align the antenna heading" on page 3-14.	-179.9° to +180.0°
[Main Bang Suppression]	If main bang appears at the screen center, slide the circle icon so that the main bang disappears, while watching the radar echo at the left-hand side of the display.	0 to 100
[Enable Sector Blanking] [Enable Sector 2 Blanking]	Up to two sectors may be selected for blanking (no transmission). Select [ON] to enable this feature. Set the start and end angles (0° to 359°).	Off, On
[Position from Bow] [Position from Port]	Referring to the figure on the right, enter the radar antenna positioning bow-stern (Longitudinal) and port-starboard (Lateral) position from the origin. 	0 m to 999 m -99 m to +99 m Port-side is negative, Starboard-side is positive.
[Height from Surface]	Select the height of the antenna above the waterline. Not available (greyed out) with the radar sensor DRS4DL+.	[Under 3m], [3m-10m], [Over 10m]
[Auto Tuning]	Enable/disable auto tuning for the connected radar. Not available (greyed out) with the radar sensor DRS2D-NXT, DRS4D-NXT.	Off, On
[Tuning Source]	Select a display in the dual range display to manually tune. Not available (greyed out) with the radar sensor DRS2D-NXT, DRS4D-NXT, DRS4DL+.	[Range1], [Range2]

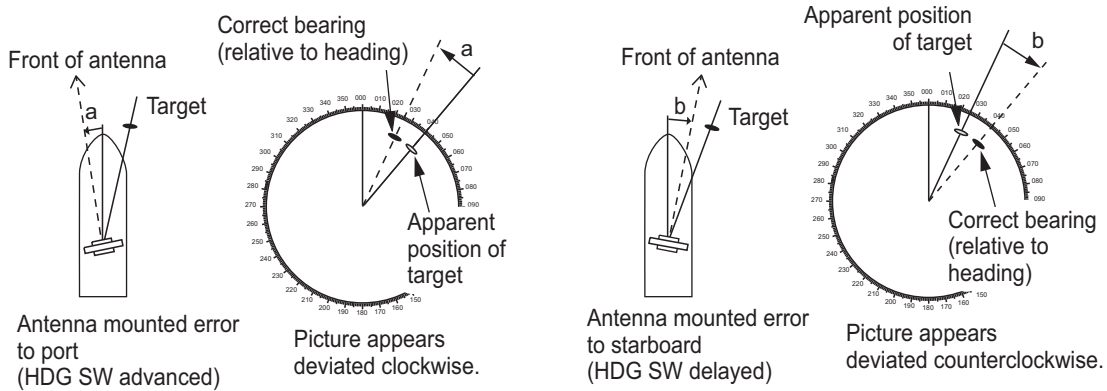
3. HOW TO SET UP THE EQUIPMENT

Menu item	Description	Options (setting range)
[Manual Tuning]	Manually tune the radar.	-50 to 50
[Radar Monitoring]	Display various information regarding the connected radar.	
[Radar Optimization]	Automatically adjust magnetron output and tuning for the connected radar. Available when the [TX/STBY] setting is [ON]. Do not change these settings. Not available (greyed out) with the radar sensor DRS2D-NXT, DRS4D-NXT. Note 1: For the service technician only. Note 2: The service technician performs this whenever the magnetron is replaced.	
[ARPA Advanced Settings]	For service technician only. Do not change these settings. This item is available when [TX/STBY] is [ON]. Not available (greyed out) with the radar sensor DRS4DL+, and FAR-2xx8 series, FAR-2xx7 series and FAR-15x8 series radar antennas.	
[TX Channel]	Select [1], [2] or [3], the channel where the interference is smallest. See the operator's manual for details. Available with the radar sensor DRS2D-NXT, DRS4D-NXT.	[Auto], [1], [2], [3]
[Target Analyzer Mode]	You can emphasize rain clutter or target echoes when the target analyzer is active. Select [Rain] or [Target] as appropriate. See the operator's manual for details. Available with the radar sensor DRS2D-NXT, DRS4D-NXT, DRS6A-NXT and DRS12A-NXT.	[Rain], [Target]
[Auto acquire by Doppler]	When turning On, approaching targets (ships, rain clutter, etc.) within 3 NM from own ship are automatically acquired by the Doppler calculated from the radar echo. See the operator's manual for details. Available with the radar sensor DRS2D-NXT, DRS4D-NXT, DRS6A-NXT and DRS12A-NXT.	Off, On
[Set Hardware to Factory Default]	Resets the radar selected at [Radar Source] to factory default.	[OK], [Cancel]
[Reset Default Page Settings]	Resets [Radar] menu settings to default.	[OK], [Cancel]

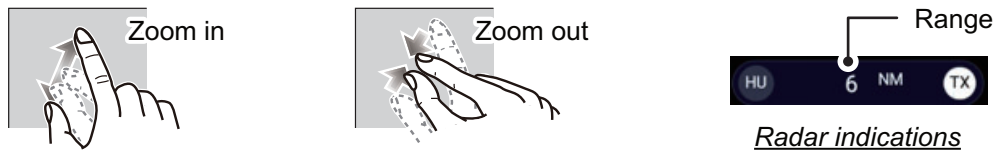
How to align the antenna heading

You have mounted the antenna unit facing straight ahead in the direction of the bow. Therefore, a small but conspicuous target dead ahead visually should appear on the heading line (zero degrees).

In practice, you will probably observe some small bearing error on the display because of the difficulty in achieving accurate initial positioning of the antenna unit. The following adjustment will compensate for the error.



- Set your radar with 0.125 and 0.25 nm range and the head up mode. You can select a range by using the pinch action. The range appears at the bottom right of the screen. Range may also be selected using the slide bar displayed on the right-hand side of the radar display area. Drag the bar up to zoom in, or down to zoom out.



- Turn the vessel's bow toward a target.
- Tap the [Home] icon to show the home screen and display mode settings.
- Tap [Radar] to show the [Radar] menu.
- Tap [Radar Initial Setup] → [Antenna Heading Align].
- Key in an offset value (setting range: -179.9° to $+180^\circ$) that puts the target at the very top of the screen, then tap the icon.
+ : rotate echo in clockwise direction
- : rotate echo in counterclockwise direction
- Confirm that the target echo is displayed at correct bearing on the screen.

3.5 How to Set Up the Fish Finder

If you have an internal fish finder, BBDS1, or DFF series, set them up as shown in this section. Set up each fish finder source individually. The fish finder source can be selected with [Fish Finder Source], which is in the [Fish Finder]→[User Settings] menu.

Note 1: Some menu items are restricted to certain external depth sounders and some menu items may not be available when using the internal depth sounder.

Note 2: For DFF-3D setup instructions, see the DFF-3D operator's manual.

- Tap the **FURUNO** icon () to show the home screen and display mode settings.
- Tap [Settings], then tap [Fish Finder]
- Refer to the table below to set up the fish finder.

3. HOW TO SET UP THE EQUIPMENT

[Fish Finder Initial Setup] section

Menu item	Description	Options (setting range)
[Transducer Setup]	Setup Transducer and Motion Sensor. See "[Transducer Setup] section" on page 3-17.	
[Preset Frequency Setup]	Set to change the TX center frequency and CHIRP width. Please refer to the instruction manual for details. Note: This menu is available when DFF3-UHD or TZT9F/12F/16F/19F is connected.	[Preset Frequency 1 Setup], [Preset Frequency 2 Setup], [Preset-Frequency 3 Setup]
[Zero Line Rejection]	When you turn the zero line (transmission line) rejection on, the line is not shown, which allows you to see fish echoes near the surface. The width of the line changes with the transducer used and installation characteristics. If the width of the line is 1.4 m or more, select On. Note: If a DFF3 or DFF3-UHD is connected and this item is set to [ON], set the range of rejection with [Zero Line Range].	Off, On
[Zero Line Range]	You can set the zero line removal range by turning on [Zero Line Rejection]. If the tail of the zero line is long, set a large value. If the zero line still does not disappear, reduce the transmission power. The default setting is 2.0	DFF3: 1.4 to 2.5 DFF3-UHD/Internal fishfinder: 1.4 to 3.8
[Transducer Draft]	Set the distance between the transducer and the draft line to show the distance from the sea surface.	0.0m to 99.9m
[Salt Water]	Turn On if you use this equipment in salt water.	Off, On
[Transmission Format]	Select whether to transmit high and low frequencies simultaneously, or separately with a time delay. Normally, use [Parallel], which transmits the frequencies simultaneously. If you encounter interference near the bottom, select [Sequential A] or [Sequential B] in order to suppress the interference. Note: Shown with connection of DFF3-UHD.	[Parallel], [Sequential A], [Sequential B]
[Transmission Power Mode]	Set the TX power level. See the operator's manual for details.	DFF1-UHD: [Off], [Min], [Auto] DFF3-UHD: 0 to 10
[External KP]	Turn On to synchronize with external sounder's keying pulse.	Off, On
[Bottom Level HF] [Bottom Level MF] [Bottom Level LF]	The default bottom level setting (0) determines that two strong echoes received in sequence are bottom echoes. If the depth indication is not stable in the default setting, adjust the bottom level here. If vertical lines appear from the bottom echo in the bottom lock display, lower the bottom level to erase the vertical lines. If you can not identify the fish near the bottom from the bottom echo, increase the bottom level.	-40 to +40
[Gain Offset HF] [Gain Offset MF] [Gain Offset LF]	If the auto gain offset is wrong, or there is a difference in the gain between the low and high frequencies, set an offset here to balance auto gain for the two frequencies.	-50 to +50

Menu item	Description	Options (setting range)
[Auto Gain Offset HF] [Auto Gain Offset MF] [Auto Gain Offset LF]	If the auto gain offset is wrong, or there is a difference in the gain between the low and high frequencies, set an offset here to balance auto gain for the two frequencies.	-5 to +5
[STC HF] [STC MF] [STC LF]	Adjust the low (LF), middle (MF) or high (HF) STC frequency. See the operator's manual for details. Note: Shown with connection of DFF3, DFF1-UHD or DFF3-UHD.	0 to +10
[TX Pulse HF] [TX Pulse MF] [TX Pulse LF]	The pulse length is automatically set according to range and shift, however it can also be set manually. Use a short pulse for better resolution and a long pulse when detection range is important. To improve resolution on zoom displays, use [Short 1] or [Short 2]. <ul style="list-style-type: none"> • [Short 1] improves the detection resolution, but the detection range is shorter than with [Std] (pulse length is 1/4 of [Std]). • [Short 2] raises the detection resolution, however detection range is shorter (pulse length is about 1/2 of [Std]) than [Std]. • [Std] is the standard pulse length, and is suitable for general use. • [Long] increases the detection range but lowers the resolution (about 1/2 compared to the [Std] pulse length) Note: Shown with connection of DFF3 or DFF3-UHD connected to a narrow band width transducer.	[Short1], [Short2], [Standard], [Long]
[RX Band HF] [RX Band MF] [RX Band LF]	Set the bandwidth for low (LF) or high (HF) frequency. The RX bandwidth is automatically set according to pulse length. To decrease noise, select [Narrow]. For better resolution, select [Wide]. Note: Shown with connection of DFF3, DFF3-UHD.	[Narrow], [Standard], [Wide]
[Temperature Port]	Set the data source for water temperature. <ul style="list-style-type: none"> • [MJ]: Use the temperature/speed sensor for data. • [Low Frequency]: Use the LF sensor for data. • [High Frequency]: Use the HF sensor for data. Note: Shown with connection of DFF3, DFF1-UHD.	[MJ], [Low Frequency], [High Frequency]
[Fish Finder Demo Mode]	The demo mode provides simulated operation using data stored in the internal memory. <ul style="list-style-type: none"> • [Off]: Disable the demo mode. • [Shallow]: Enable shallow water demo mode. • [Deep]: Enable deep water demo mode. Note: Shown with connection of BBDS1, DFF1, DFF3, DFF1-UHD or DFF3-UHD.	[Off], [Shallow], [Deep]
[Set Hardware to Factory Default]	Reset the external fish finder to its factory default settings.	[OK], [Cancel]
[Restore Default Page Settings]	Restore all menu settings to default.	[OK], [Cancel]

[Transducer Setup] section

For motion sensor related settings, see "Motion sensor menu" on page 3-19.

Note: Make sure that the unit is set to stand-by when setting up the transducer.

3. HOW TO SET UP THE EQUIPMENT

Menu item	Description	Options (setting range)
[Transducer Setup Type]	Select the type of transducer connected. When the connected sounder is a DFF1-UHD and the transducer has a compatible TDID, [TDID] is automatically selected. Note: When the transducer model is changed or TDID is detected, the frequency and bandwidth set on [Manual] is to be reset. <ul style="list-style-type: none"> • [Manual]: Manually set up the transducer. • [Model]: Select the appropriate transducer model (for FURUNO or AIRMAR transducers). 	[Manual], [Model]
[Model Number]	Select the appropriate model number from the list. Note: Only available when [Transducer Setup Type] is set to [Model].	
[High Frequency Min]	Display the high frequency minimum.*	
[High Frequency Max]	Display the high frequency maximum.*	
[Low Frequency Min]	Display the low frequency minimum.*	
[Low Frequency Max]	Display the low frequency maximum.*	
[Reset Default Page Settings]	Reset the [Transducer Setup] menu settings to default.	[OK], [Cancel]

*: Shown with connection of DFF3.

When [Transducer Setup Type] is set to [Model] and connected to DFF3

Menu item	Description
[High Frequency]	Set the frequency (kHz) of the connected high frequency transducer.
[Frequency Adjust HF]	Fine-tune the high-frequency TX frequency to eliminate interference (setting range: -50 to +50). Set to [0] where there is no interference.
[Low Frequency]	Set the frequency (kHz) of the connected low frequency transducer.
[Frequency Adjust LF]	Fine-tune the low frequency TX frequency to eliminate interference (setting range: -50 to +50). Set to [0] where there is no interference.

When [Transducer Setup Type] is set to [Model] and connected to DFF3-UHD

Menu item	Description	Options (setting range)
[TX Mode HF]	Band adjustment mode for center frequency and CHIRP frequency of the transducer connected to the high frequency side.	[Auto CHIRP], [FM (Manual CHIRP)] ^{*1} , [CW (Fixed Frequency)] ^{*2}
[High Frequency]	Set the high frequency (kHz) of the transducer connected to the high frequency side.	
[Frequency Adjust HF]	If ^{*1} or ^{*2} is selected at [TX Mode HF], fine-tune the high-frequency TX frequency to eliminate interference (setting range: -50 to +50). Set to [0] where there is no interference.	
[CHIRP Width HF]	If ^{*1} is selected in [TX Mode HF], set the CHIRP frequency band of the transducer connected to the high frequency side.	
[TX Mode LF]	Band adjustment mode for center frequency and CHIRP frequency of the transducer connected to the low frequency side.	[Auto CHIRP], [FM (Manual CHIRP)] ^{*1} , [CW (Fixed Frequency)] ^{*2}
[Low Frequency]	Set the low frequency (kHz) of the transducer connected to the low frequency side.	

Menu item	Description	Options (setting range)
[Frequency Adjust LF]	If *1 or *2 is selected at [TX Mode LF], fine-tune the low-frequency TX frequency to eliminate interference (setting range: -50 to +50). Set to [0] where there is no interference.	
[CHIRP Width LF]	If *1 is selected in [TX Mode LF], set the CHIRP frequency band of the transducer connected to the low frequency side.	

When [Transducer Setup Type] is set to [Manual]

Menu item	Description	Options (setting range)
[High Frequency]	Set the kHz frequency for high frequency. Setting ranges vary depending on the transducer connected. Note: Shown with connection of DFF1, BBDS1, DFF3, DFF1-UHD.	
[Transducer Power HF]	Set the transmission power for high frequency. Note 1: Shown with connection of DFF1, BBDS1, DI-FFAMP or DFF3-UHD. Note 2: For DFF1-UHD users, when the connected transducer TDID is not supported by the DFF1-UHD, the setting is fixed as [1000].	[600], [1000]
[Band Width (HF)]	Set the bandwidth for high frequency. Note: Shown with connection of DFF3.	
[Low Frequency]	Set the kHz frequency for low frequency. Setting ranges vary depending on the transducer connected. Note: Shown with connection of DFF1, BBDS1, DFF3, DFF1-UHD.	
[Transducer Power LF]	Set the transmission power for low frequency. Note 1: Shown with connection of internal fish finder, DFF1, BBDS1, DI-FFAMP and DFF3-UHD. Note 2: For DFF1-UHD users, when the connected transducer TDID is not supported by the DFF1-UHD, the setting is fixed as [1000].	[600], [1000]
[Band Width (LF)]	Set the bandwidth for low frequency. Note: Shown with connection of DFF3.	

When [Transducer Setup Type] is set to [Manual] and connected to DFF3-UHD

Menu item	Description
[TX Volt HF]	Set the TX voltage (V) of the transducer connected to the high frequency side.
[TX Volt LF]	Set the TX voltage (V) of the transducer connected to the low frequency side.
[High Frequency]	Set the frequency (kHz) of the transducer connected to the high frequency side.
[Low Frequency]	Set the frequency (kHz) of the transducer connected to the low frequency side.

Motion sensor menu

The [Motion Sensor] menu sets up the motion sensor, which provides for stable display of the seabed, schools of fish, etc. in moderate-to-rough seas.

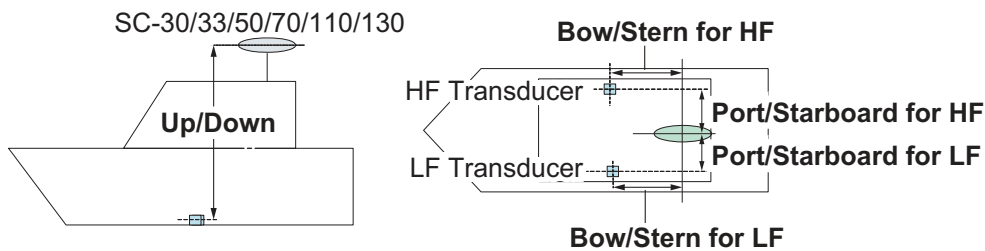
Note 1: For connection of NMEA0183 equipment to the TZT10X/13X, ask your FURUNO dealer to set up the equipment.

3. HOW TO SET UP THE EQUIPMENT

Note 2: To use the heaving function, the following settings are required at the satellite compass. For the setting procedure, see the operator's manual for your satellite compass. Settings for SC-30 are done from the [IF-NMEASC] menu, settings for SCX-20 is done from the [DATA OUT] menu.

	NMEA0183	NMEA 2000
Sentence	ATT, HVE	–
Baud rate	38400BPS	–
Cycle	25ms	–
PGN	–	Heave: 65280 Attitude: 127257

The [MOTION SENSOR] menu appears in the [Transducer Setup] menu when the [Heaving Correction] is activated in the [Fish Finder] menu. If the satellite compass SC-30 or SC50/110 is connected, set the distance between the antenna unit (or sensor) of the satellite compass and transducer (high and low if connected) here.



Menu item	Description	Options (setting range)
[Motion Sensor Type]	Select the sensor connected to your TZT10X/13X unit. For all sensors other than SC-50 and SC-110, select [SC-30]. Note: This menu item is not available when [Fish Finder Source] is set to [TZT10X/13X].	[SC30], [SC50_SC110]
[Antenna Position Bow/Stern HF (LF)]	Set the distance from the antenna unit to the transducer in the bow-stern direction. If the transducer is located on the fore side, set a positive value.	-99 to +99
[Antenna Position Up/Down HF (LF)]	Set the distance from the transducer to the antenna unit in the vertical direction. If the transducer is located on the bow side, set a positive value.	-0.00 to +99.9
[Antenna Port/Starboard HF (LF)]	Set the distance from the antenna unit to the transducer in the port-starboard direction. If the transducer is located on the starboard side, set a positive value.	-99.9 to +99.9

Transducer mis-mount correction


If the DFF-3D or a CHIRP side scan compatible transducer is installed 180° in reverse (facing stern), turn on the following item:

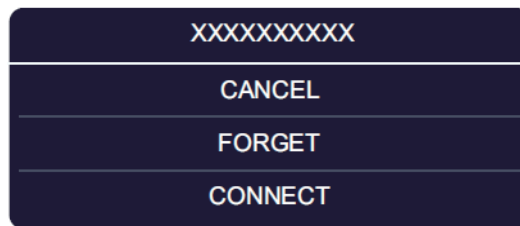
- DFF-3D: [Settings]→[Multi Beam Sonar]→[Initial Setup]→[Transducer Setup]→[Transducer Mis-mount Correction]→[ON]
- CHIRP Side Scan: [Settings]→[CHIRP Side Scan]→[Transducer Mis-mount Correction]→[ON]

3.6 Wireless LAN Setting

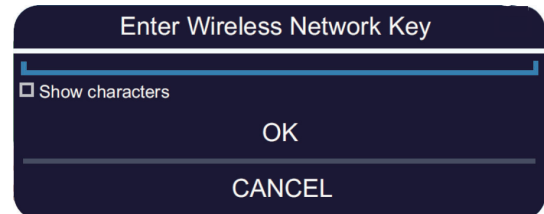
3.6.1 How to join an existing wireless network

By connecting to an existing network, you may download software updates and weather information from the Internet.

1. Tap the **FURUNO** icon () to show the home screen and display mode settings.
2. Tap [Settings], then [General].
3. Tap [Connectivity], then [Wireless LAN Settings].
4. Tap [Wireless Mode].
5. Tap [Connect to existing LAN], then tap the [<] icon at the top left of the display.
6. Turn on [Wireless] in the [ENABLE WIRELESS] menu.
7. Tap [Scan] to scan the vicinity for accessible WLAN networks. Available networks are listed. To delete all WLAN networks, select [Forget All Available Networks].
8. Tap the appropriate WLAN network to show the following display.



9. Tap [Connect], and the display shown in the right figure appears.
10. Use the software keyboard to enter the network key, then tap the [OK] button. To see what you have input, check [Show characters].




Note: If the network key is incorrect, an error message appears. Enter the correct key and tap [OK] again.

11. Tap [x] on the title bar to close the menu.

3.6.2 How to create a wireless LAN network

Smart devices connected to this wireless network may also connect directly to the unit, allowing use of the TZT10X/13X applications.

1. Tap the **FURUNO** icon () to show the home screen and display mode settings.
2. Tap [Settings] then [General], in that order.
3. Tap [Connectivity], then [Wireless LAN Settings].
4. Tap [Wireless Mode] in the [WIRELESS MODE] menu.
5. Tap [Create Local Network], then tap the [<] icon at the top left of the display.
6. Tap [Name] in the [LOCAL NETWORK SETTINGS] menu.

3. HOW TO SET UP THE EQUIPMENT

7. Using the software keyboard, name the unit, then tap the ✓.
8. Tap [Password] in the [LOCAL NETWORK SETTINGS] menu.
9. Using the software keyboard, set the password, then tap the ✓.
10. Tap [Local Network] in the [ENABLE LOCAL NETWORK] menu to activate the wireless network.
11. Your smart device may now be connected to the unit, through the network.
 - 1) From the smart device, select the network set at step 7.
 - 2) Input the password set at step 9.
12. Tap [×] on the title bar to close the menu.

3.7 Ferry Mode

Note: Only the SC-30, SC-33, and SCX-20 support the Ferry Mode.

Ferry mode allows the user to change the screen orientation by 180°. Note that all the above heading sensors must support heading offset command from the TZT10X/13X. Both heading sensors and radar sensors must be powered on when the TZT10X/13X sends the command. Both the heading sensor and radar sensor must be powered when the TZT10X/13X sends the heading offset command to them. If TZT10X/13X sends the command and one of the sensors does not receive it, the heading data may be reversed. See "[Event Input Configuration]" on page 3-11.

3.8 How to Manage Your Charts

A TZ MAPS world chart is provided standard. For all other TZ MAPS charts you will need to purchase and load a chart license together with an unlock code. (The same applies to MM3D charts.) To share the system ID and unlock code between NavNet TZtouch series units connected within the same network, go the Home page on any unit → [Settings] → [Initial Setup] → turn on [Chart Master].

Note: If two or more NavNet TZtouch series devices share an unlock code, it is necessary to obtain a new unlock code when changing the Chart Master settings. For example, one unit is set as "main" (Chart master setting: ON) and the other unit as "secondary" (Chart master setting: OFF), you need to reacquire an unlock code.

3.8.1 How to update or add TZ MAPS charts

By connecting this device to the Internet and logging into My TIMEZERO™, you can purchase and renew a TZ MAPS chart license (valid for one year) and download chart data online. Downloaded chart data can be used even when offline by putting it on a microSD card and inserting it into the card slot on the back of the device.

Note: Chart licenses are valid for one year, and during this period charts can be downloaded and updated. After the license period expires, you can continue to use the already downloaded charts. However, charts cannot be downloaded or updated. After the one-year period, you can purchase a new chart license, which will be automatically renewed yearly. To cancel the automatic renewal, go to your My TIMEZERO™ account, using the link below. The automatic renewal cannot be canceled from the device side.

<https://extranet.mytimezero.com/>

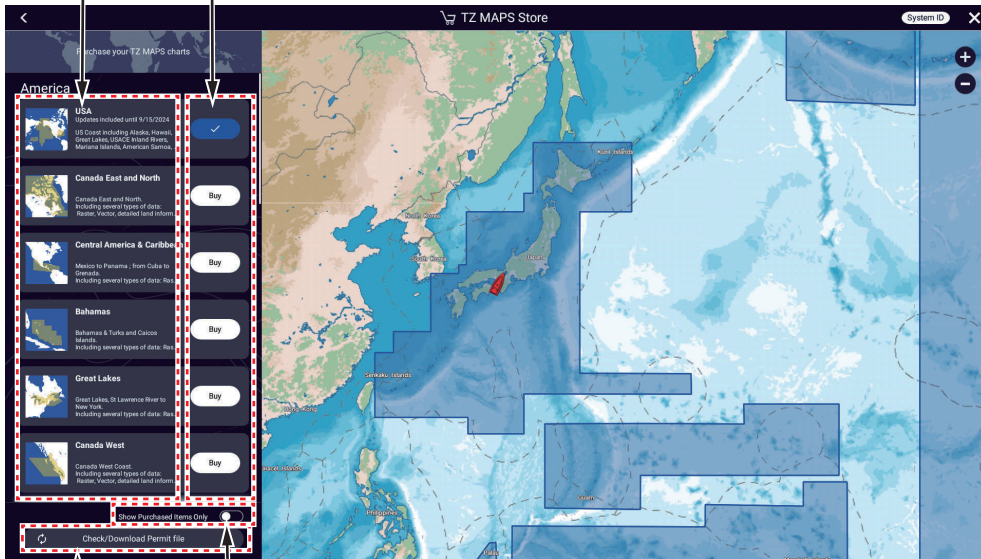
3. HOW TO SET UP THE EQUIPMENT

1. Home page→[Charts]→[TZ MAPS Store].

Tap here to highlight the selected area, on the right side of the screen (White background: Not purchased, Blue background: Purchased).

[Buy]: Not purchased, [✓]: Purchased

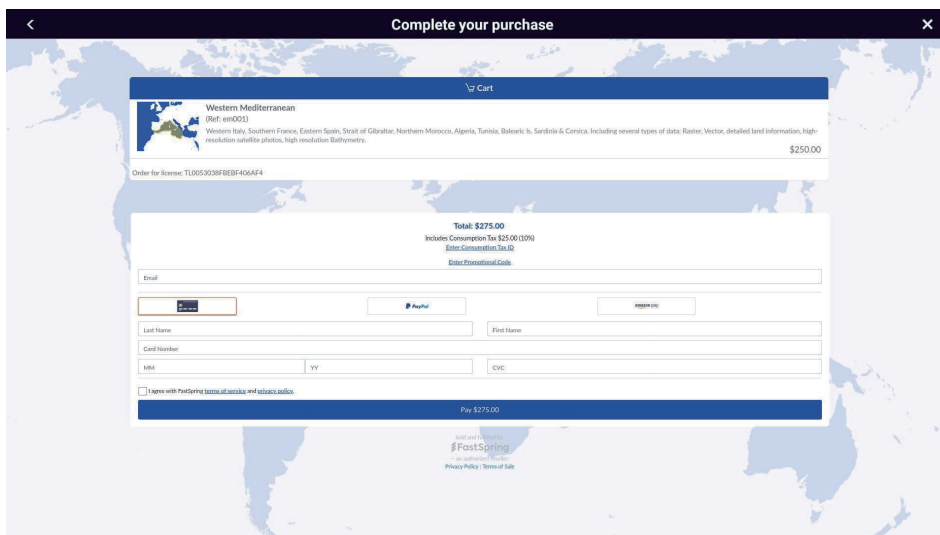
*: When the license expires (one year), the indication changes to [Subscribe], and when you select and purchase a subscription, the indication changes to [Subscribed].



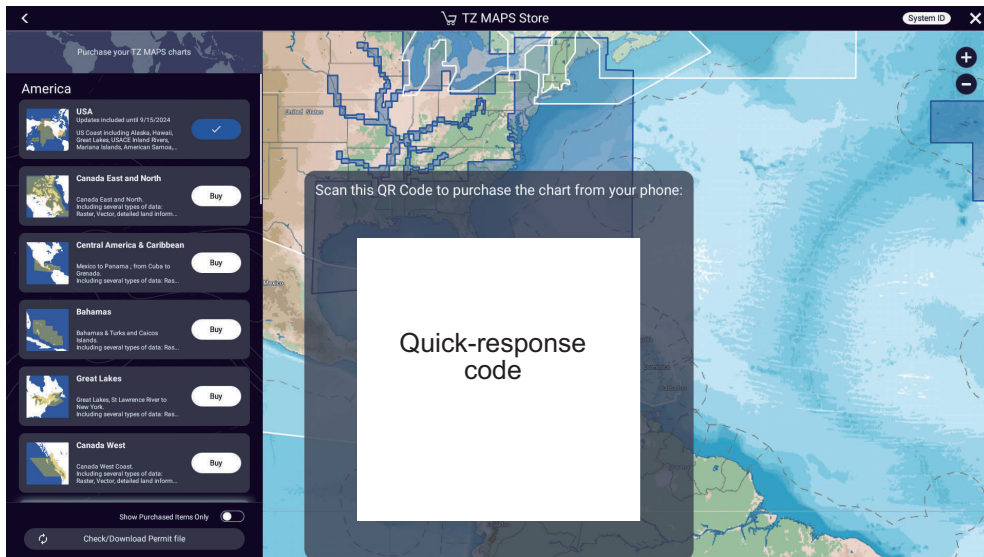
Turn ON to display only purchased charts.

Tap to check whether there is a license for the purchased chart. If there is, the file will be downloaded. After downloading, the [Buy] button of the purchased chart changes to a blue button, and you can then download the chart data for the purchased area ✓.

2. Tap the [Buy] button corresponding to the area to purchase. The message "Please wait, preparing your purchase" appears then the "buy screen" appears.



If you are not connected to the Internet, a quick-response code appears. Use your smartphone/tablet to read it and display the “buy screen”.

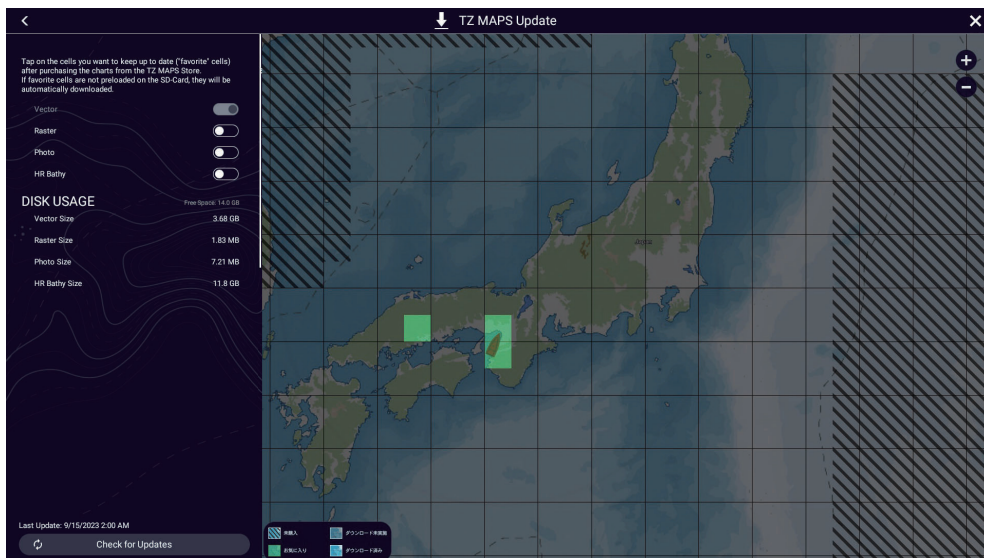


3. Select how to buy the chart.
4. Enter the required information.
5. Read the conditions of purchase, check ✓ to agree, then tap [Payment].
6. If you purchase a license using a quick-response code, a ZUC file is sent to your registered email address. Save the file to a USB flash memory, insert the memory into the USB port of this equipment, and read the file.

3.8.2 How to update TZ MAPS charts

If there is a new version of a downloaded chart data, there are two ways to update the chart, individually or all at once.

1. Home page→[Charts]→[TZ MAPS Update].



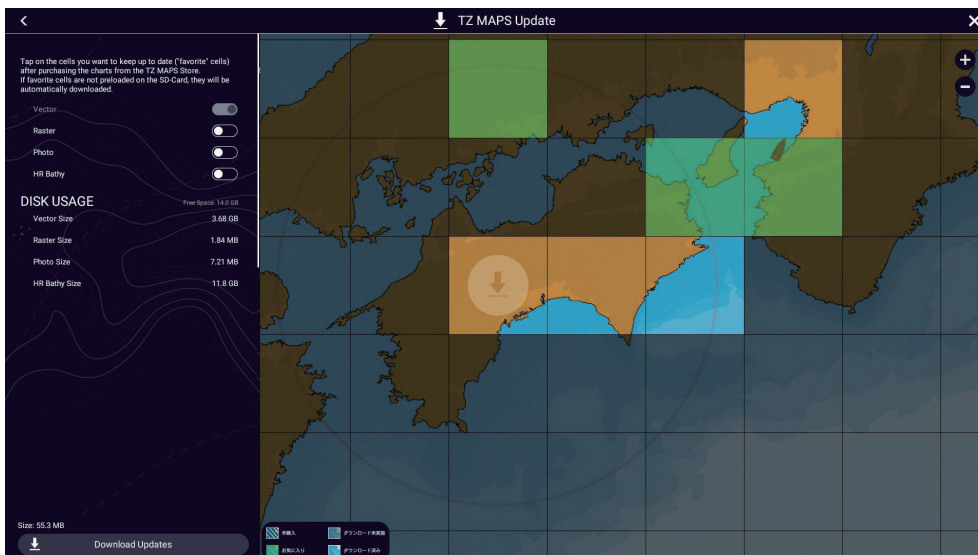
2. **Update chart data collectively:** Tap [Check for Updates], at the bottom left corner of the screen,
Update chart data individually: Tap the area you want to update.

3. HOW TO SET UP THE EQUIPMENT

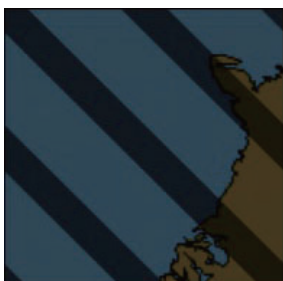
The update begins and progress is indicated at the bottom left corner of the screen. The [Check for Updates] button label changes to [Cancel], and when the update is completed it changes to [Download Updates].

For individual download, the selected area is given [Favorites]* status, Tap [×] on the title bar to close the [TZ MAPS Update] screen and complete the process.

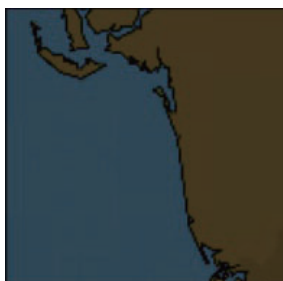
For collective download, an icon appears in the areas that can be updated. You can update multiple areas. The following screen appears.



*: Depending on the status of chart data, each area is classified and displayed into the following four types. Areas set as [Favorites] are automatically updated if the latest data is available. [Favorites] switches between [Favorites] and [Downloaded] each time you tap an area.



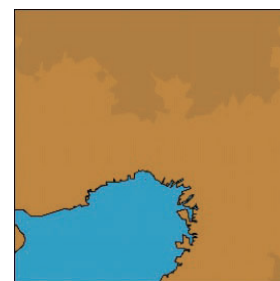
Not purchased



Not downloaded



Favorites



Download completed

3. Tap [Download Updates] at the bottom left corner of the screen. The download begins and progress is indicated at the bottom left corner of the screen. The [Download Updates] button label changes to [Cancel] and then [Downloaded] once the download is complete.
4. Tap [×] on the title bar to finish the download and close the [TZ MAPS Update] screen.

3.8.3 How to display the MM3D charts catalog

The charts catalog shows all the charts incorporated in your equipment. To show the charts catalog, Home page→[Charts]→[MM3D Charts Catalog].

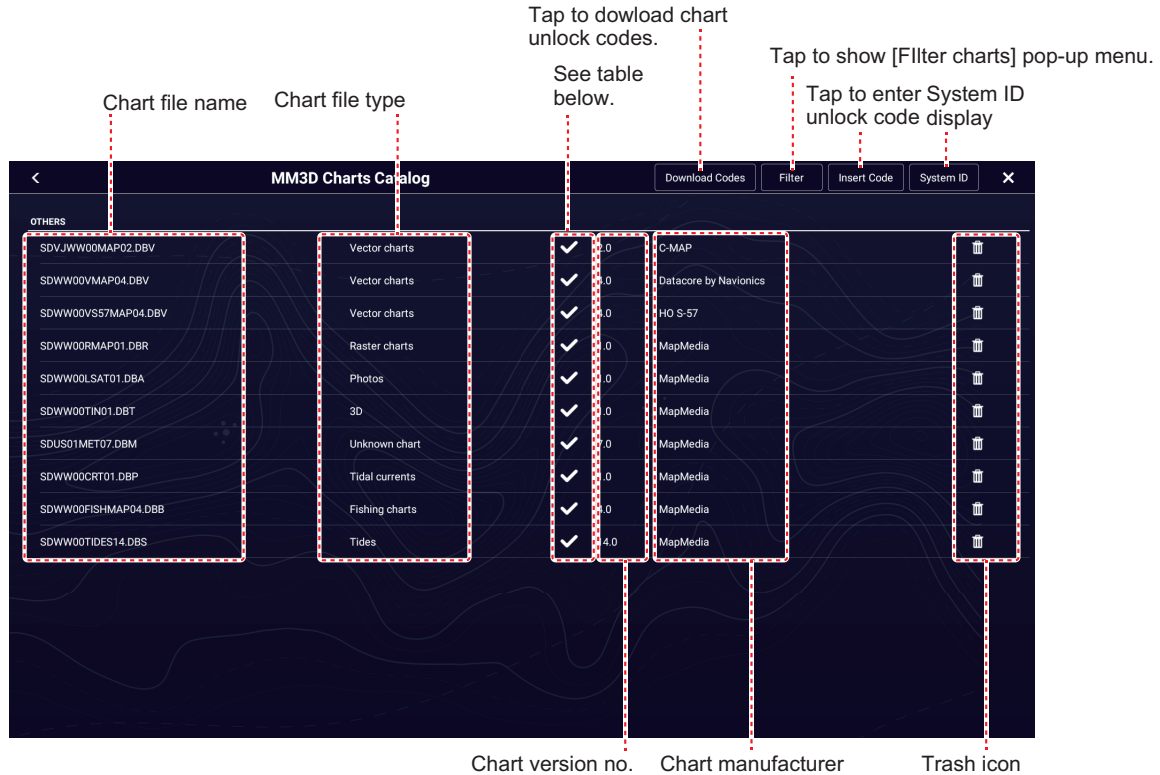




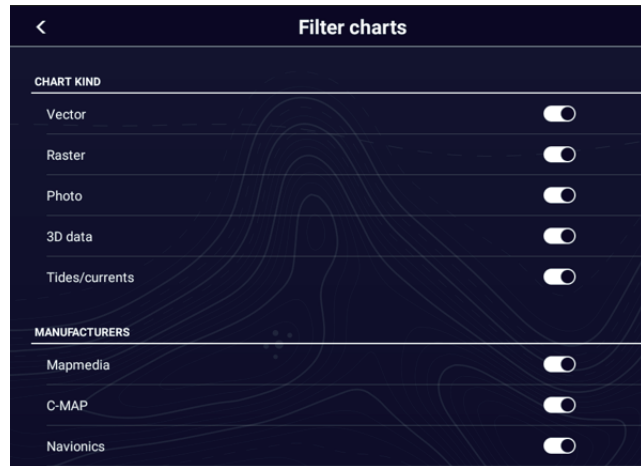


Chart status icon	Meaning	Chart status icon	Meaning
	Free chart. An unlock code is not necessary.		Paid chart. Unlock code entered.
	Paid chart. Unlock code is necessary to use the chart. Tap [Insert Code] at the top of the [Charts Catalog] screen. Enter the unlock code then tap [✓] to finish.		Chart cannot be used because it is corrupted.

3. HOW TO SET UP THE EQUIPMENT

How to hide unnecessary charts on the chart catalog list

1. Tap [Filter] on the chart catalog list title bar to show the [Filter charts] window.
2. Select [OFF] for the items that you want to hide. The factory setting shows all charts. To restore all charts, tap [Reset Filters].
3. Tap < on the title bar to return to the chart catalog list. [Filter] on the title bar changes to [Change Filter].
4. Tap the close button to close the chart catalog list.



3.8.4 How to add MM3D charts

For information on how to obtain a chart and the unlock code, contact the point of purchase, or the nearest branch/sales office of our company. Copy the chart to a microSD card and insert it into the card slot on the back of the equipment. If you have added a paid chart, please enter the unlock code (see the section 3.8.3).

3.8.5 How to MM3D charts

To delete charts, go the Home page then tap [Charts]→[MM3D Chart Catalog]. Tap the trash can icon (right edge of screen) corresponding to the chart to delete. You are asked if you are sure to delete the chart. Tap [OK] to delete the chart.

3.9 IP Camera Setup









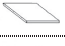

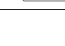


When connecting one or more IP camera (maximum 8), the following settings are required at the camera.

- IP Address: 172.31.200.003~172.31.200.006
- Subnet Mask: 255.255.0.0

PACKING LIST

19BP-X-9851-0 1/1

TZT10X-E/-J

N A M E	UNIT	PRODUCT NAME	O U T L I N E	DESCRIPTION/CODE No.	QTY
ユニット 指形部 Multi Function Display UNIT				TZT10X-# 0016907000 **	1
予備品 SPARE PARTS			355.6 x 232.5		
予備品 SPARE PARTS		E1-X(7.5A) FUSE (7.5A)		FRU-80V-FU-7.5A 0001908410	1
付属品 ACCESSORIES					
付属品 ACCESSORIES		フルタクリーナー LCD CLEANING CLOTH		19-028-3129-7 1009590710	1
		SDカード(メモリー) MICRO SD CARD		JE07012-CT10 9999980410	1
工事材料 INSTALLATION MATERIALS					
工事材料 INSTALLATION MATERIALS		マウントメタル MOUNT METAL		JE07012-Y640 9999980610	4
		ネジ包装品 PACKAGED SCREW		JE07012-0367 00020119410	1
		ネジカバー TZX10X用 SCREW COVER For TZX10X		JE07012-Y430 9999980310	2
		電源ケーブル POWER CABLE		FRU-3P-FF-A002M-002R 00020108710	1
		ネットワークケーブル NETWORK CABLE		FRU-RZWPWP-005G 00020033910	1
魚探ケーブル FISH FINDER CABLE		FRU-CB12-MJ-01-BU 00020095510	1		
図書 DOCUMENT					
図書 DOCUMENT		整備要領書(和/英) INSTALLATION MANUAL(JP/EN) TZT10X/13X		IM-45260-# 0002011551+ **	1
		操作要領書(和/英) OPERATOR'S GUIDE(JP/EN) TZT10X/13X/16X/22X/24X		OS-45240-# 0002001451+ **	1
		型紙(サイズ:A3/TZT10X) (和/英) FLUSH MOUNTING TEMPLATE (SIZE: A3/TZT10X) (JP/EN)		042-02311-# 0002011481+ **	1

*1 コード番号末尾の**は、選択品の代表コードを表します。
CODE NUMBER ENDING WITH "**" INDICATES THE CODE NUMBER OF REPRESENTATIVE MATERIAL.



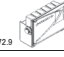







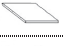

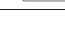


(略図の寸法は、参考値です。DIMENSIONS IN DRAWING FOR REFERENCE ONLY.)

JE07012-Y670

PACKING LIST

19BP-X-9852-0 1/1

TZT13X-E/-J

N A M E	UNIT	PRODUCT NAME	O U T L I N E	DESCRIPTION/CODE No.	QTY
ユニット 指形部 Multi Function Display UNIT				TZT13X-# 0016907000 **	1
予備品 SPARE PARTS			438.2 x 272.9		
予備品 SPARE PARTS		E1-X(7.5A) FUSE (7.5A)		FRU-80V-FU-7.5A 0001908410	1
付属品 ACCESSORIES					
付属品 ACCESSORIES		フルタクリーナー LCD CLEANING CLOTH		19-028-3129-7 1009590710	1
		SDカード(メモリー) MICRO SD CARD		JE07012-CT10 9999980410	1
工事材料 INSTALLATION MATERIALS					
工事材料 INSTALLATION MATERIALS		マウントメタル MOUNT METAL		JE07012-Y640 9999980610	4
		ネジ包装品 PACKAGED SCREW		JE07012-0367 00020119410	1
		ネジカバー TZX13X用 SCREW COVER For TZX13X		JE07012-Y630 9999980310	2
		電源ケーブル POWER CABLE		FRU-3P-FF-A002M-002R 00020108710	1
		ネットワークケーブル NETWORK CABLE		FRU-RZWPWP-005G 00020033910	1
魚探ケーブル FISH FINDER CABLE		FRU-CB12-MJ-01-BU 00020095510	1		
図書 DOCUMENT					
図書 DOCUMENT		整備要領書(和/英) INSTALLATION MANUAL(JP/EN) TZT10X/13X		IM-45260-# 0002011551+ **	1
		操作要領書(和/英) OPERATOR'S GUIDE(JP/EN) TZT10X/13X/16X/22X/24X		OS-45240-# 0002001451+ **	1
		型紙(サイズ:A3/TZT13X) (和/英) FLUSH MOUNTING TEMPLATE (SIZE: A3/TZT13X) (JP/EN)		042-02312-# 0002011481+ **	1

*1 コード番号末尾の**は、選択品の代表コードを表します。
CODE NUMBER ENDING WITH "**" INDICATES THE CODE NUMBER OF REPRESENTATIVE MATERIAL.




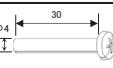
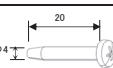
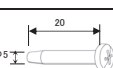
(略図の寸法は、参考値です。DIMENSIONS IN DRAWING FOR REFERENCE ONLY.)

JE07012-Y672



FURUNO

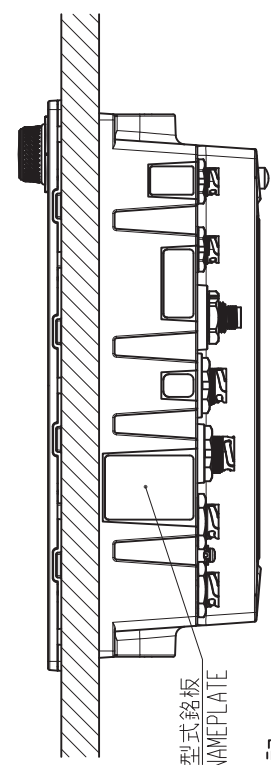
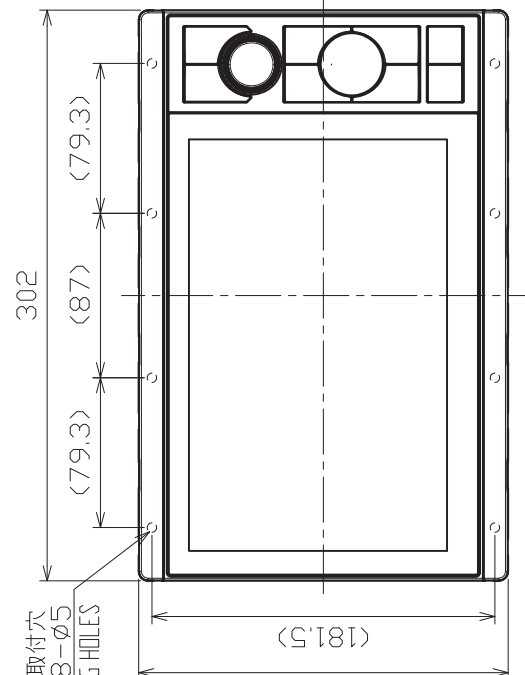
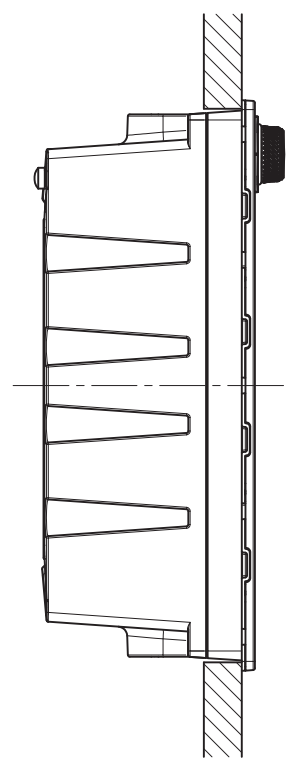
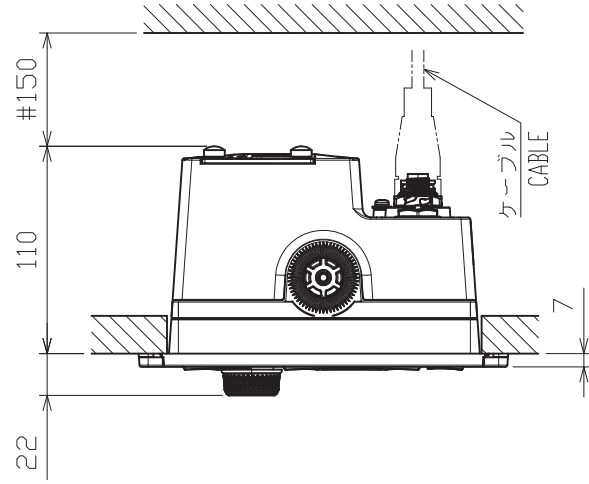
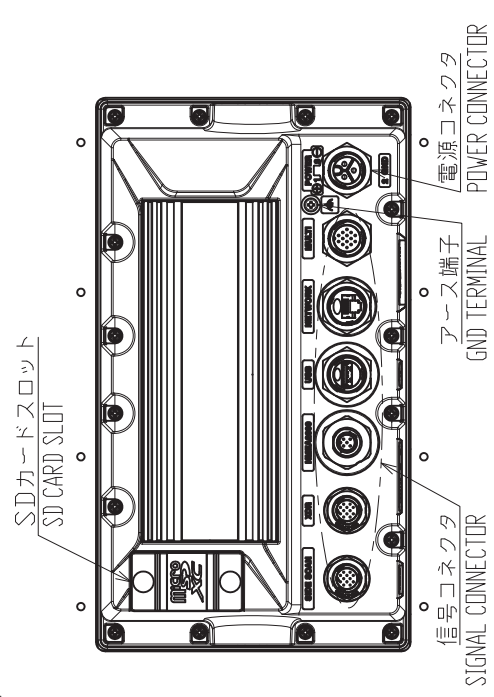
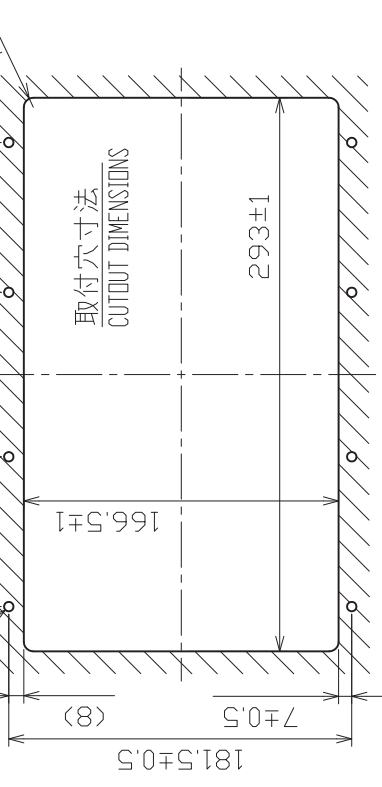
CODE NO.	-	19BP-X-9401-0
TYPE	JE07012-B367	1/1

工事材料表 INSTALLATION MATERIALS					
番号 NO.	名称 NAME	略図 OUTLINE	型名/規格 DESCRIPTIONS	数量 QTY	用途/備考 REMARKS
1	ネジ(M3) SCREW(M3)		J6-SBD3-25200 CODE NO. -----	8	
2	ネジ(M4) SCREW(M4)		J6-SBD4-30200 CODE NO. -----	8	
3	ネジ(呼び4) SCREW(D4)		JE82001-0026 CODE NO. -----	8	
4	ネジ(呼び5) SCREW(D5)		JE82001-0015 CODE NO. -----	4	
MFR'S NAME	FURUNO ELECTRIC CO.,LTD.	DWG NO.			1/1

(略図の寸法は、参考値です。DIMENSIONS IN DRAWING FOR REFERENCE ONLY.)

表1 TABLE 1

寸法区分 (mm) DIMENSION	公差 (mm) TOLERANCE
L ≤ 50	±1.5
50 < L ≤ 100	±2.5
100 < L ≤ 500	±3



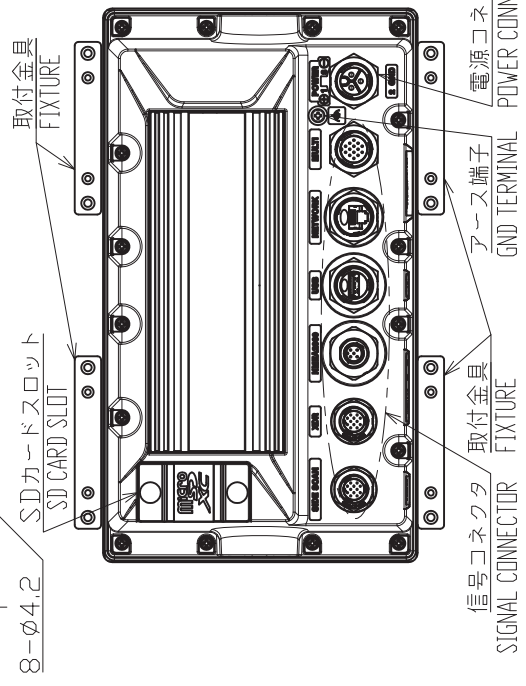
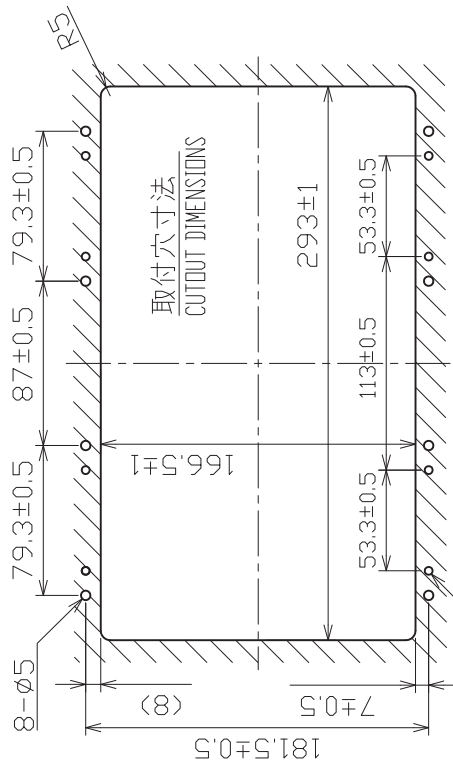
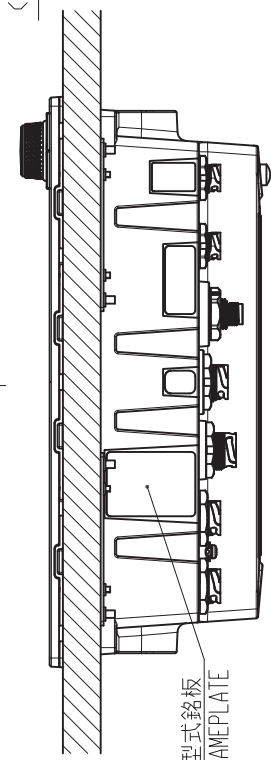
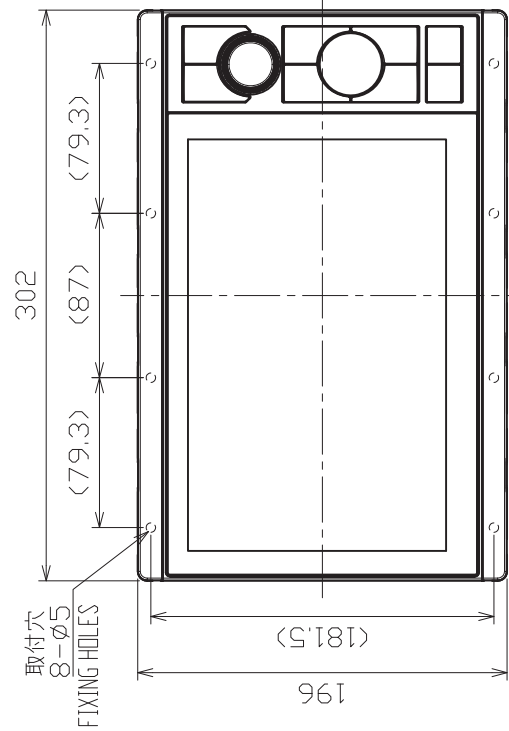
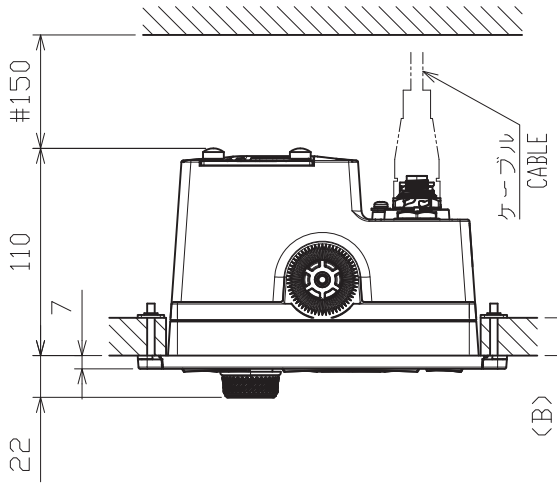
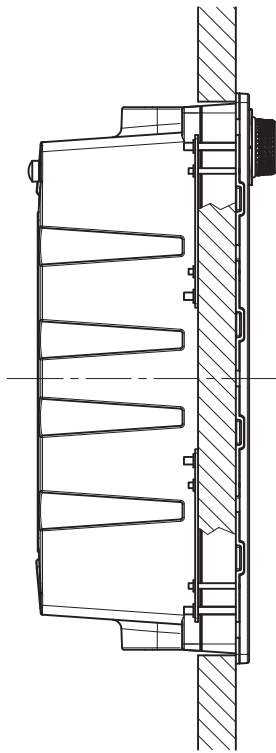
NOTE
 1. TABLE 1 INDICATES TOLERANCE OF DIMENSIONS WHICH IS NOT SPECIFIED.
 2. # MINIMUM SERVICE CLEARANCE.
 3. USE TAPPING SCREWS φ4x20 FOR FIXING THE UNIT.

DRAWN	23/Jun/2024 S.HAN	TITLE	TZT10X
CHECKED	23/Jun/2024 T.YAMASAKI	名称	マルチファンクションディスプレイ (埋込装備1)
APPROVED		外寸図	
SCALE	1/4	NAME	MULTI FUNCTION DISPLAY (FLUSH MOUNT 1)
DATE	19/Feb/2024 H.MAKI	備考	ケーブルを含まず MASS DOES NOT INCLUDE CABLE.
DWG No.	C4526-G01-A	REF.No.	19-036-100G-1
			OUTLINE DRAWING

- 注記
- 1) 指定外の寸法公差は表1による。
 - 2) #印寸法は最小サービス空間寸法とする。
 - 3) 取付用ネジはバインドタツピンネジ呼び径4×20を使用のこと。

表1 TABLE 1

寸法区分 (mm) DIMENSION	公差 (mm) TOLERANCE
L ≤ 50	±1.5
50 < L ≤ 100	±2.5
100 < L ≤ 500	±3



NOTE

1. TABLE 1 INDICATES TOLERANCE OF DIMENSIONS WHICH IS NOT SPECIFIED.
2. #: MINIMUM SERVICE CLEARANCE.
3. BULKHEAD THICKNESS (B): 5 ≤ B ≤ 20.
4. USE BINDING SCREWS M3X25 FOR FIXING THE FIXTURE, AND USE BINDING SCREWS M4X30 FOR FIXING THE UNIT.

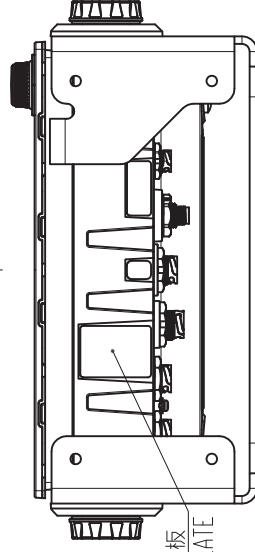
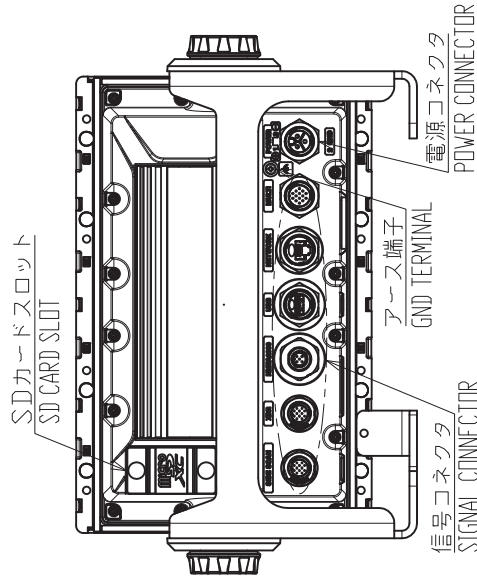
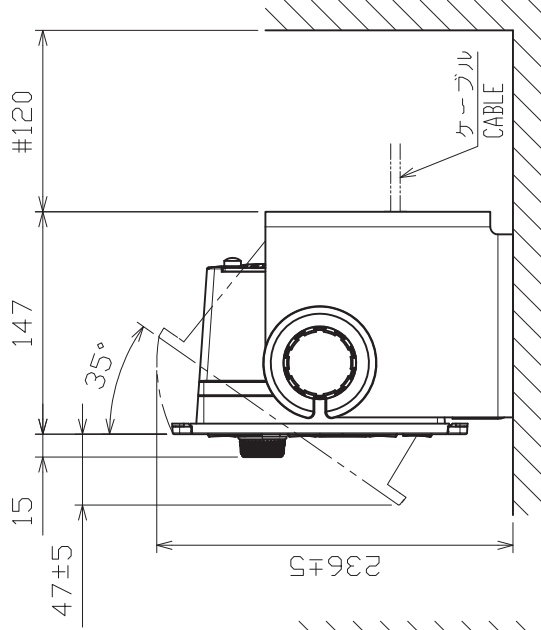
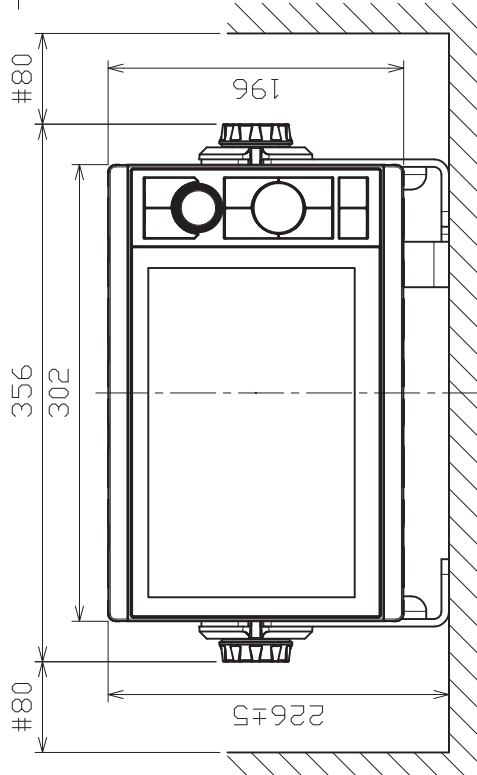
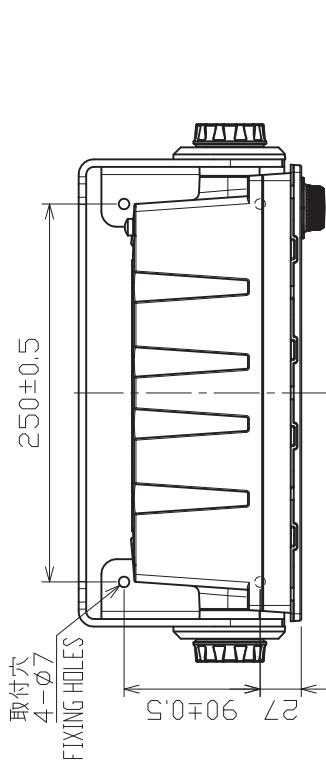
DRAWN	23/Jan/2024 S.HAN	TITLE	TZT10X
CHECKED	23/Jan/2024 T.YAMASAKI	名称	マルチファンクションディスプレイ (埋込装備2)
APPROVED	19/Feb/2024 H.MAKI	外寸図	
SCALE	1/4	質量はケーブルを含まず MASS DOES NOT INCLUDE CABLE.	
FIG.No.	C4526-002-A	図号	19-036-10IG-1
		OUTLINE DRAWING	

注記

- 1) 指定外の寸法公差は表1による。
- 2) #印寸法は最小サービス空間寸法とする。
- 3) 壁の厚さ(B)は最小5, 最大20とする。
- 4) 取付金具はバインドネジM3×25、本体はバインドネジM4×30で固定する。

表1 TABLE 1

寸法区分 (mm) DIMENSION	公差 (mm) TOLERANCE
L ≤ 50	±1.5
50 < L ≤ 100	±2.5
100 < L ≤ 500	±3



NOTE

1. TABLE 1 INDICATES TOLERANCE OF DIMENSIONS WHICH IS NOT SPECIFIED.
2. # MINIMUM SERVICE CLEARANCE.
3. USE TAPPING SCREWS φ5x20 FOR FIXING THE UNIT.

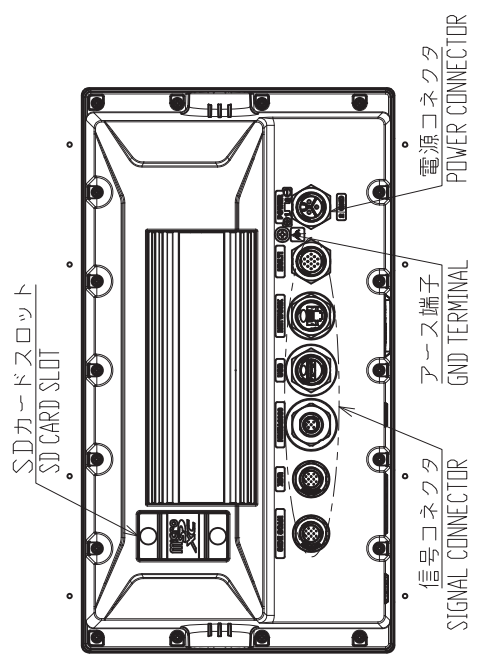
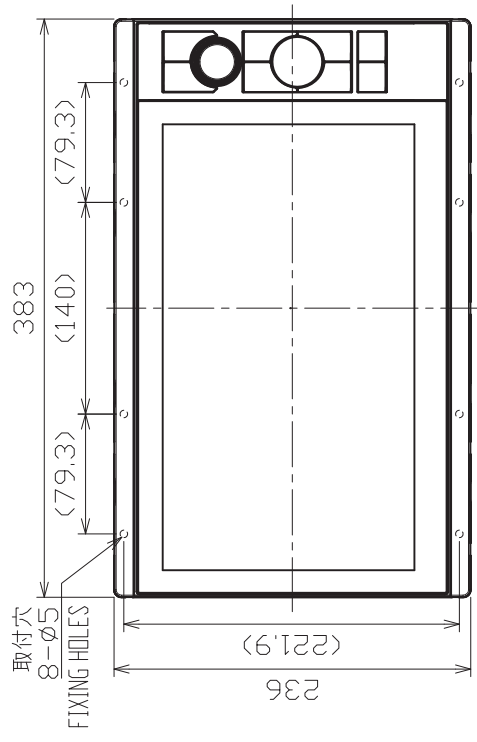
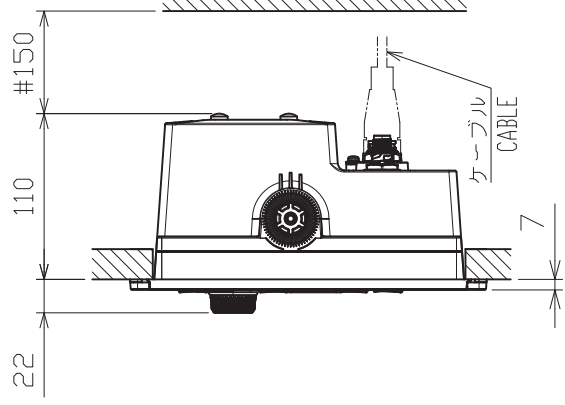
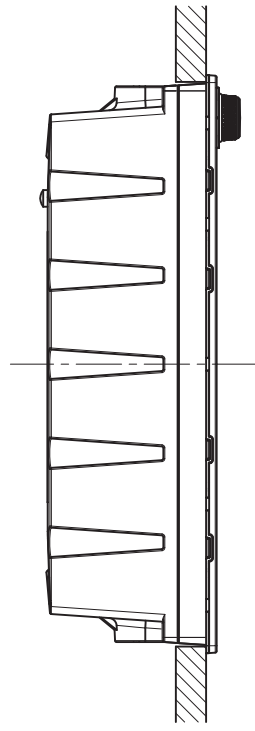
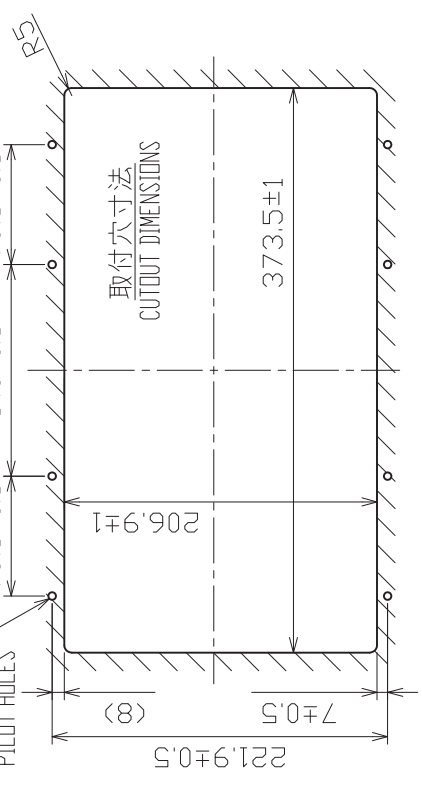
DRAWN	22/Jan/2024 S.HAN	TITLE	TZT10X
CHECKED	22/Jan/2024 T.YAMASAKI	名称	マルチファンクションディスプレイ (卓上装備)
APPROVED	19/Feb/2024 H.MAKI	外寸図	
SCALE	1/5	NAME	MULTI FUNCTION DISPLAY (TABLETOP MOUNT)
DWG No.	C4526-G03-A	質量はケーブルを含まず MASS DOES NOT INCLUDE CABLE.	OUTLINE DRAWING
		REF.No.	19-036-102G-1

- 注記
- 1) 指定外の寸法公差は表1による。
 - 2) 寸法は最小サービス空間寸法とする。
 - 3) 取付用ネジはトラス呼び径5×20を使用のこと。

表1 TABLE 1

寸法区分 (mm) DIMENSION	公差 (mm) TOLERANCE
L ≤ 50	±1.5
50 < L ≤ 100	±2.5
100 < L ≤ 500	±3

8-取付穴位置
PILOT HOLES



NOTE

1. TABLE 1 INDICATES TOLERANCE OF DIMENSIONS WHICH IS NOT SPECIFIED.
2. # MINIMUM SERVICE CLEARANCE.
3. USE TAPPING SCREWS $\phi 4 \times 20$ FOR FIXING THE UNIT.

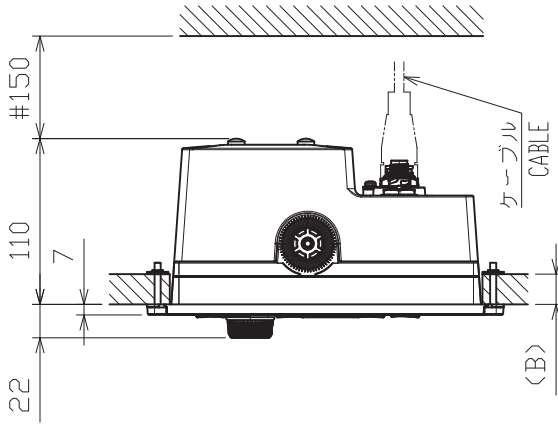
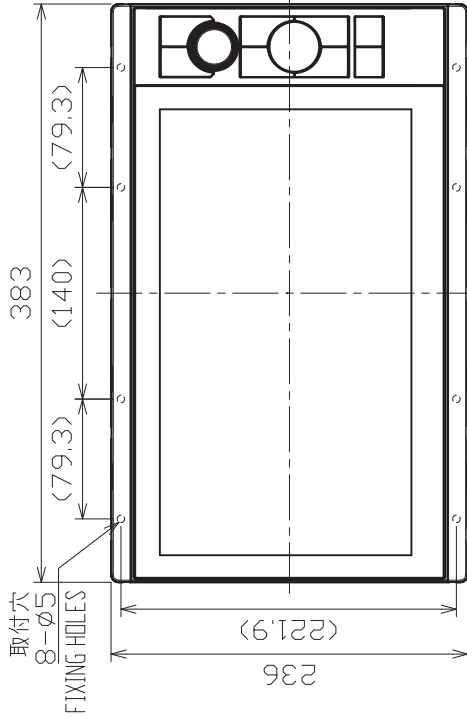
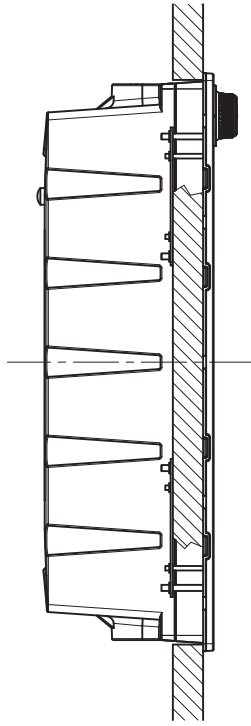
DRAWN	22/Jan/2024 S.HAN	TITLE	TZT13X
CHECKED	22/Jan/2024 T.YAMASAKI	名称	マルチファンクションディスプレイ (埋込装備1)
APPROVED	19/Feb/2024 H-MAKI	外寸図	
SCALE	1/5	質量はケーブルを含まず 質量はケーブルを含まず MASS DOES NOT INCLUDE CABLE.	NAME
DWG No.	C4527-G01-A	REF. No.	19-036-10G-1
		OUTLINE DRAWING	

注記

- 1) 指定外の寸法公差は表1による。
- 2) #印寸法は最小サービス空間寸法とする。
- 3) 取付用ネジはバイネジ呼び径4×20を使用のこと。

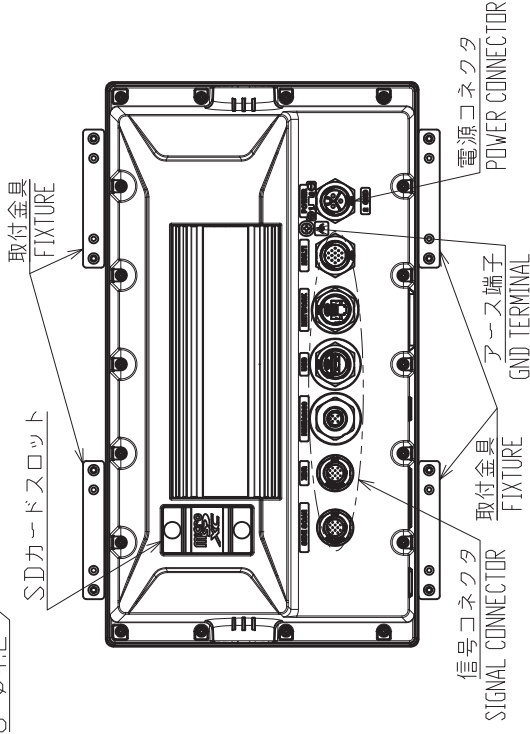
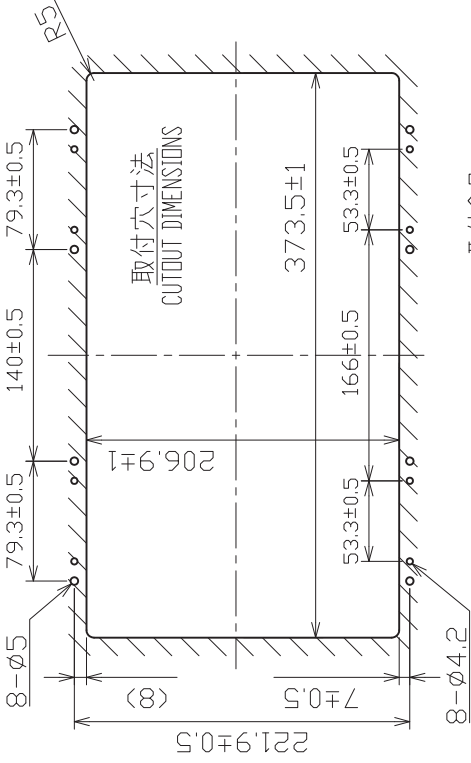
表1 TABLE 1

寸法区分 (mm) DIMENSION	公差 (mm) TOLERANCE
L ≤ 50	±1.5
50 < L ≤ 100	±2.5
100 < L ≤ 500	±3



NOTE

- TABLE 1 INDICATES TOLERANCE OF DIMENSIONS WHICH IS NOT SPECIFIED.
- # MINIMUM SERVICE CLEARANCE.
- BULKHEAD THICKNESS (B) > 5 ≤ B ≤ 20.
- USE BINDING SCREWS M3x25 FOR FIXING THE FIXTURES, AND USE BINDING SCREWS M4x30 FOR FIXING THE UNIT.



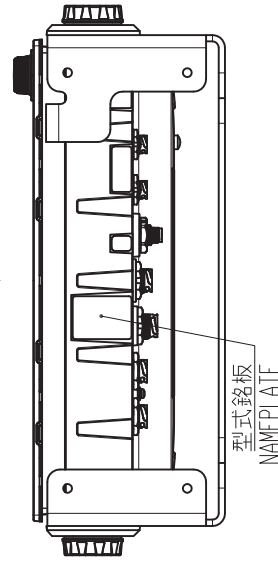
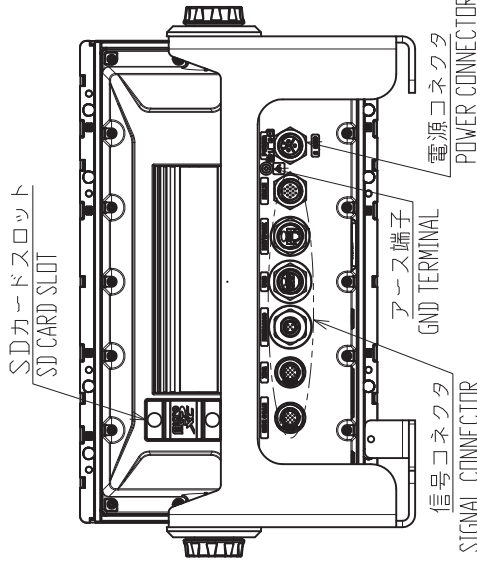
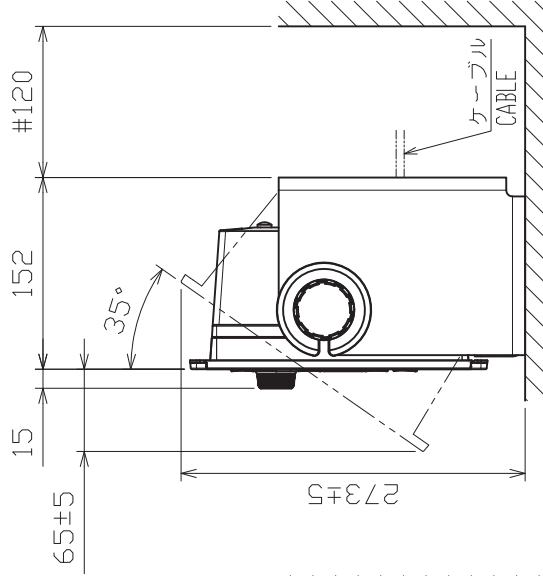
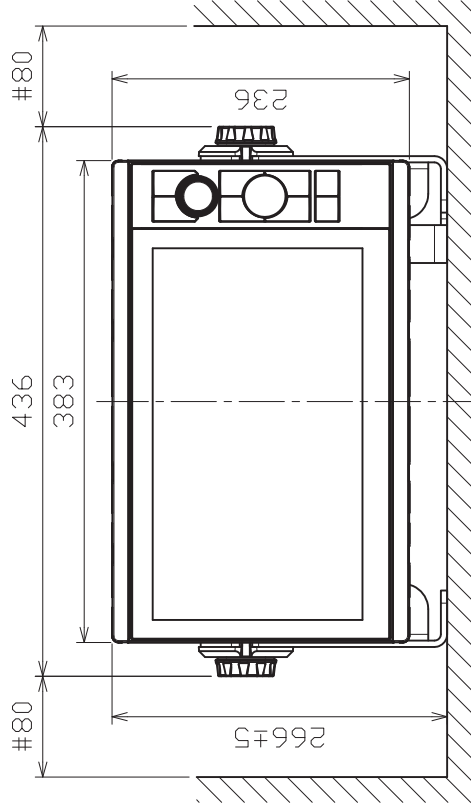
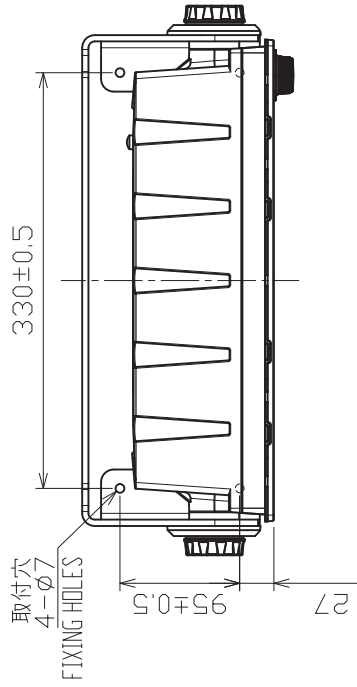
注 記

- 指定外の寸法公差は表1による。
- #印寸法は最小サービス空間寸法とする。
- 壁の厚さ (B) は最小5, 最大20とする。
- 取付金具はバインドネジM3x25、本体はバインドネジM4x30で固定する。

DRAWN	23/Jan/2024 S.HAN	TITLE	TZT13X
CHECKED	23/Jan/2024 T.YAMASAKI	名称	マルチファンクションディスプレイ (埋込装備2)
APPROVED	19/Feb/2024 H.MAKI	外寸図	
SCALE	1/5	壁厚はケーブルを含まず MASS DOES NOT INCLUDE CABLE.	
DWG No.	C4527-G02-A	REF.No.	19-036-IIIIG-1

表1 TABLE 1

寸法区分 (mm) DIMENSION	公差 (mm) TOLERANCE
L ≤ 50	±1.5
50 < L ≤ 100	±2.5
100 < L ≤ 500	±3



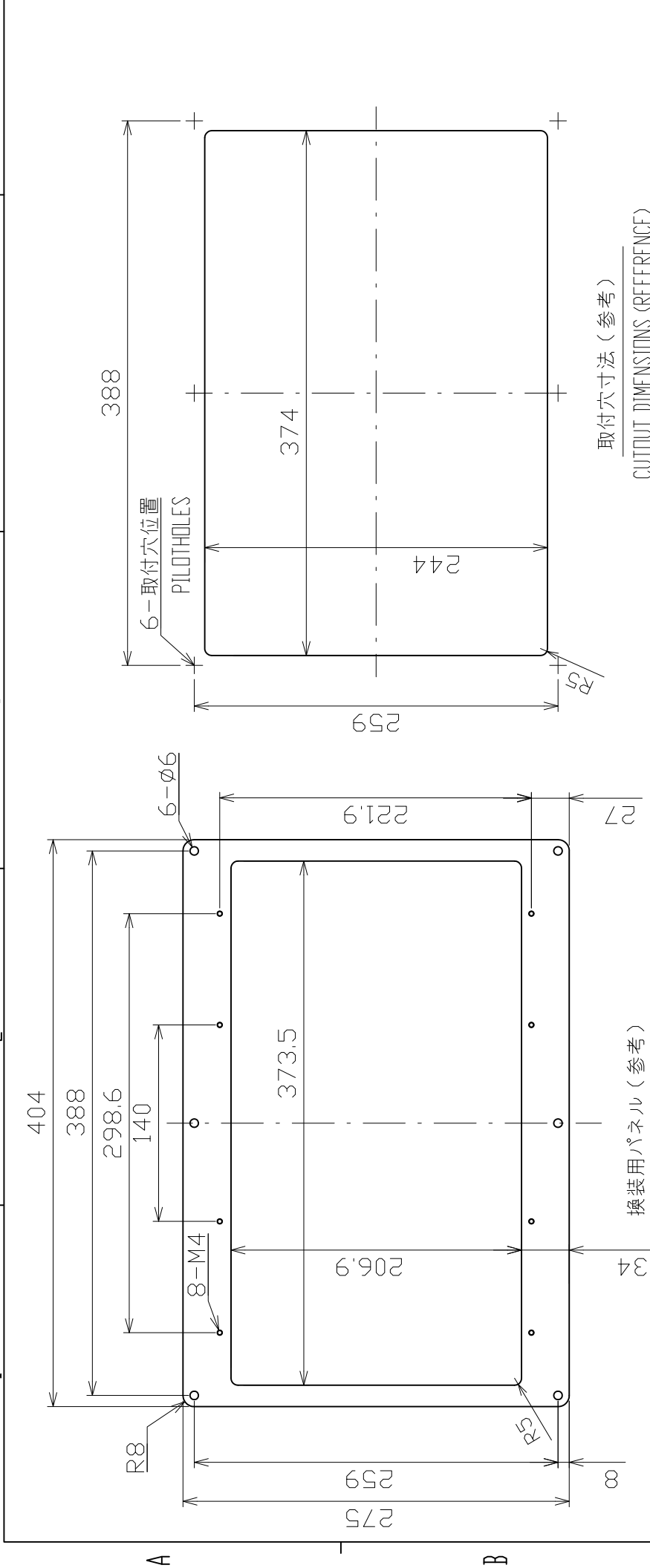
NOTE

- TABLE 1 INDICATES TOLERANCE OF DIMENSIONS WHICH IS NOT SPECIFIED.
- # MINIMUM SERVICE CLEARANCE.
- USE TAPPING SCREWS $\phi 5 \times 20$ FOR FIXING THE UNIT.

DRAWN	23/Jan/2024 S.HAN	TITLE	TZT13X
CHECKED	23/Jan/2024 T.YAMASAKI	名称	マルチファンクションディスプレイ (卓上装備)
APPROVED	19/Feb/2024 H-MAKI	外寸図	
SCALE	1/6	質量はケーブルを含まず MASS DOES NOT INCLUDE CABLE.	MULTI FUNCTION DISPLAY (TABLETOP MOUNT)
DWG No.	C4527-G03-A	REF.No.	19-036-112G-1
		OUTLINE DRAWING	

注記

- 指定外の寸法公差は表 1 による。
- #印寸法は最小サービス空間寸法とする。
- 取付用ネジはトラスタツピンネジ呼び径 5×20 を使用のこと。



換装用パネル (参考)
REMounting PANEL (REFERENCE)

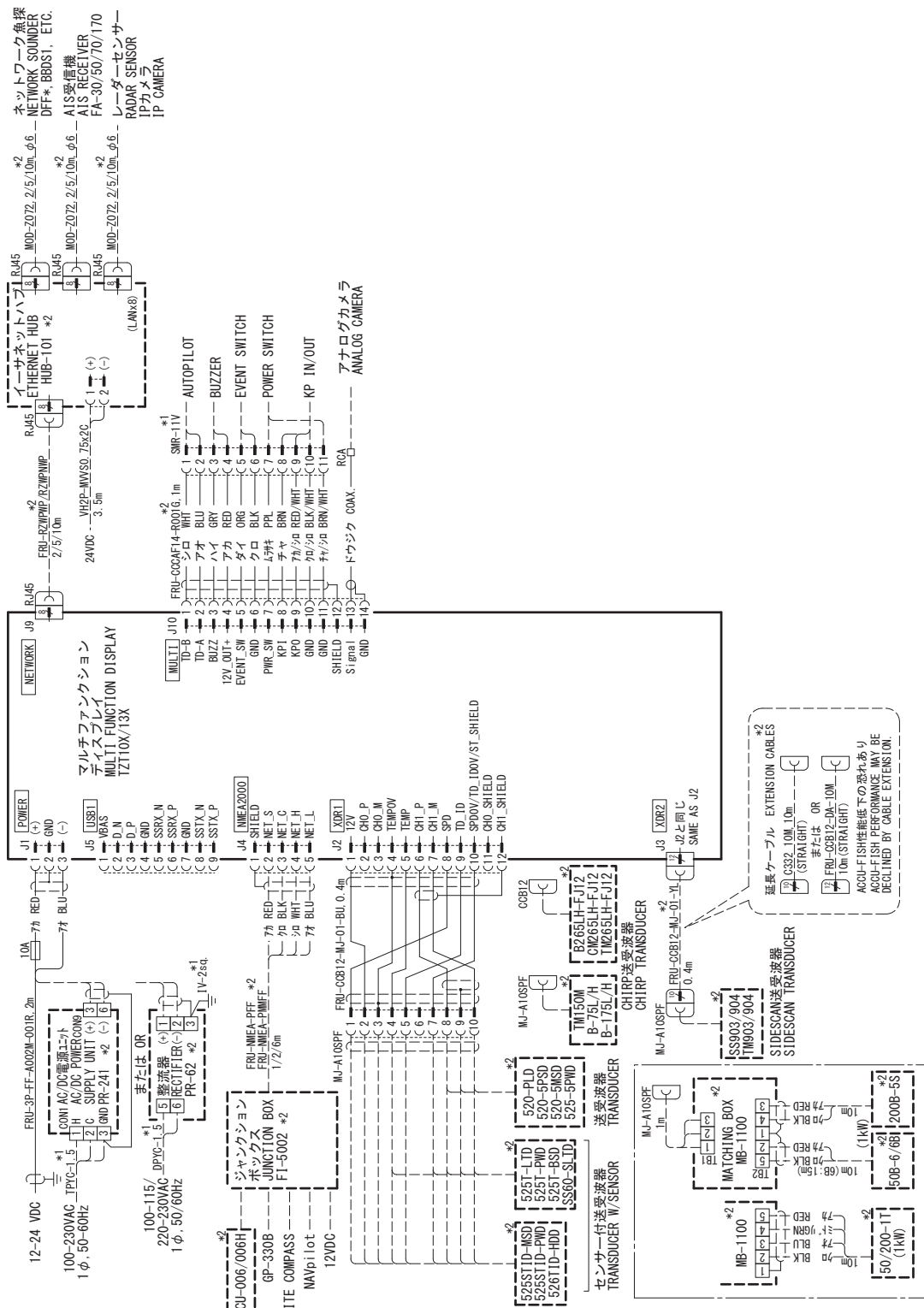
取付穴寸法 (参考)
CUTOUT DIMENSIONS (REFERENCE)

- 注記
- 1) 取付用ねじはタッピングネジ呼び径5を使用のこと。
 - 2) 換装用パネルの板厚・材料は十分強度のあるものを使用のこと。

NOTE

1. USE TAPPING SCREWS Ø5 FOR FIXING THE PANEL.
2. USE THE STRONG ENOUGH PANEL FOR MOUNTING BY MATERIAL AND THICKNESS.

DRAWN	13/Feb/2024	I.YAMASAKI	TITLE	TZT13X PANEL
CHECKED	13/Feb/2024	H.MAKI	名称	換装用パネル (参考)
APPROVED	28/Feb/2024	H.MAKI	外寸図	
SCALE	1/4	MKS	NAME	REMounting PANEL (REFERENCE)
DWG.No.	C4527-G04-A	REF.No.		OUTLINE DRAWING



記載
 *1) 造船所手配。
 *2) オプション。
 NOTE
 *1: SHIPYARD SUPPLY.
 *2: OPTION.

DRAWN	18/Mar/2024	S. HAN	TITLE	TZT10X/13X
CHECKED	18/Mar/2024	T. YAMASAKI	名称	マルチファンクションディスプレイ
APPROVED	18/Mar/2024	A. MURAO	相互接続図	
SCALE	1/8	MASS	NAME	MULTI FUNCTION DISPLAY
DWG No.	04526-C01-A	kg	REF. No.	INTERCONNECTION DIAGRAM