

FCF Classic

Interior Cabin Cooling



FCF Classic Self-Contained Units

12,000 & 16,000 BTU/h

Interior Cabin Cooling

FCF innovation starts with a balanced system for noise elimination. The compressor is carefully mounted to greatly reduce unwanted vibration and noises that can transfer into the cabin.

FCF stands for quality, including a long-lasting, baked on enamel finish, a robust blower that can handle multiple vents and comes standard with a digital control panel.

Product Features:

- Reverse cycle heat standard
- Extra low compressor vibration and noise
- Replaceable air filter for cleaner air
- High velocity / 3-speed / 360° rotatable blower
- Units available in 12,000 and 16,000 BTU/h
- Corrosion-free stainless steel condensation tray
- Multi-inlet port evaporator

Now Available

FCF Remote Control

- Control your FCF from any place on your vessel
- Standard with FCF 12k & 16k Classic Units



FCF Classic Self-Contained Units

12,000 & 16,000 BTU/h



FCF Classic 12,000 BTU/h



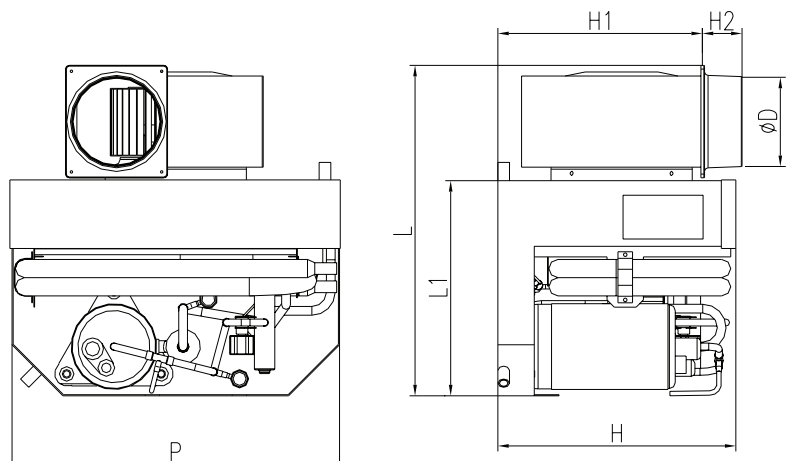
FCF Classic 16,000 BTU/h

Technical Specifications

	FCF Classic 12,000		FCF Classic 16,000	
	115V	230V	115V	230V
Rated Voltage	115V	230V	115V	230V
Part Number	FCF0012000GS	FCF0012023G	FCF0016000GS	FCF0016023G
Cooling Capacity	12,000 BTU/h		16,000 BTU/h	
Rated Frequency	60Hz	50 / 60Hz	60Hz	50 / 60Hz
Average Load	8.5 A	4.5 A	11 A	5.5 A
Min. Supply Air	50 in ² (323 cm ²)		60 in ² (387 cm ²)	
Min. Return Air	100 in ² (645 cm ²)		140 in ² (903 cm ²)	
Net Weight	68 lbs. (31 kg)		76 lbs (33 kg)	
Blower Output	410 cfm (696 m ³ /h)		505 cfm (858 m ³ /h)	
Ducting Collar (Diameter)	5 in (127 mm)			
Seawater Inlet / Outlet (Diameter)	0.750 in (19 mm)			
Drain Pan Outlet (Diameter)	0.625 in (15.9 mm)			

Dimensions

	FCF Classic 12,000	FCF Classic 16,000
H	13 in (330 mm)	13 in (330 mm)
H1	11.4 in (290 mm)	11.4 in (290 mm)
H2	2.1 in (54 mm)	2.1 in (54 mm)
P	15 in (380 mm)	17.7 in (450 mm)
D	5 in (127 mm)	5 in (127 mm)
L	17.2 in (438 mm)	17.9 in (454 mm)
L1	11 in (280 mm)	11.6 in (295 mm)



FCF Classic Complete System Kits

12,000 & 16,000 BTU/h

FCF Classic complete system kits include all components which work to provide a cool, quiet environment on-board.

» Kit Components



FCF Classic A/C Unit



KoolAir Pump -
PM1000 or SPM1000



Return Air Grille, Supply Air Grille, Air Divider Hose, Transition Box, Flexible Insulated Duct, Heavy Duty Sewater Hose, Sewater Strainer w/ Scoop, Hardware and Fittings

FCF Classic Complete System Kits

Part Number	Description
5012242	FCF Classic 12,000 BTU 115V Complete System Kit w/ KoolAir PM1000 Pump
5012243	FCF Classic 12,000 BTU 230V Complete System Kit w/ KoolAir PM1000 Pump
5012246	FCF Classic 12,000 BTU 115V Complete System Kit w/ KoolAir SPM1000 Pump
5012447	FCF Classic 12,000 BTU 230V Complete System Kit w/ KoolAir SPM1000 Pump
5012244	FCF Classic 16,000 BTU 115V Complete System Kit w/ KoolAir PM1000 Pump
5012245	FCF Classic 16,000 BTU 230V Complete System Kit w/ KoolAir PM1000 Pump
5012248	FCF Classic 16,000 BTU 115V Complete System Kit w/ KoolAir SPM1000 Pump
5012249	FCF Classic 16,000 BTU 230V Complete System Kit w/ KoolAir SPM1000 Pump

Webasto Thermo & Comfort
North America, Inc.

15083 North Road
Fenton, Michigan 48430
USA
Toll Free: 800-860-7866
Phone: 810-593-6000

webasto-comfort.com

